



Classic LED spotLV

LEDspots 5W MR16 830 60D

LEDspot, MR16, 50 W, GU5.3, 3000 K, 390 lm, 15000 hour(s), Glass

LEDspot, MR16, 50 W, GU5.3, 3000 K, 390 lm, 15000 hour(s), Glass, 78 lm/W

Product data

General Information		Power Consumption	
Cap-Base	GU5.3	Power Consumption	5 W
Nominal lifetime	15,000 hour(s)	Lamp Current (Nom)	580 mA
Switching Cycle	50,000	Wattage Equivalent	50 W
Rated Lifetime (Hours)	15,000 hour(s)	Starting Time (Nom)	0.5 s
Lighting Technology	LEDspot	Warm-up time to 60% light	0.5 s
		Power Factor (Fraction)	0.6
		Voltage (Nom)	ac electronic 12 V
Light Technical		Temperature	
Color Code	830 [CCT of 3000K]	T-Case Maximum (Nom)	65 °C
Beam Angle (Nom)	60 degree(s)		
Luminous Flux	390 lm	Controls and Dimming	
Luminous Intensity (Nom)	400 cd	Dimmable	No
Color Designation	White (WH)		
Correlated Color Temperature (Nom)	3000 K	Mechanical and Housing	
Luminous Efficacy (rated) (Nom)	78 lm/W	Bulb Finish	Clear
Color Consistency	<6	Bulb Material	Glass
Color rendering index (CRI)	80	Overall length	46 mm
LLMF At End Of Nominal Lifetime (Nom)	70 %	Overall width	51 mm
		Overall height	46 mm
		Dimensions (Height x Width x Depth)	46 x 51 x 46 mm
Operating and Electrical		Bulb Shape	MR16
Line Frequency	- Hz		
Input Frequency	- Hz		

Classic LED spotLV

Net Weight (Piece)	0.040 kg
--------------------	----------

Approval and Application

Suitable For Accent Lighting	Yes
Energy Consumption kWh/1000 h	6 kWh
EU RoHS compliant	Yes
Ambient temperature range	-20 to +40 °C

Application Conditions

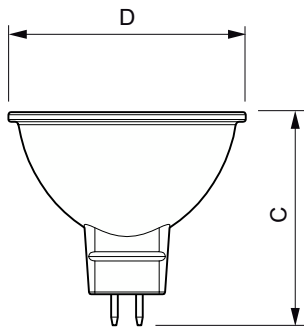
Wireless Technology	Not applicable
---------------------	----------------

Product Data

Order product name	LEDspots 5W MR16 830 60D
--------------------	--------------------------

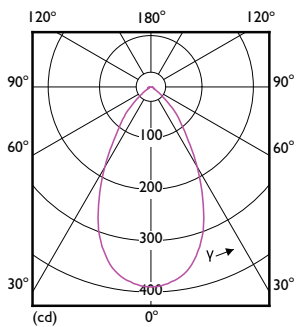
Full product name	LEDspots 5W MR16 830 60D
Full product code	871869967565300
Order code	929001280491
Material Nr. (12NC)	929001280491
Numerator - Quantity Per Pack	1
EAN/UPC - Product/Case	8718699675653
Numerator - Packs per outer box	4
EAN/UPC - Case	8718699675660

Dimensional drawing

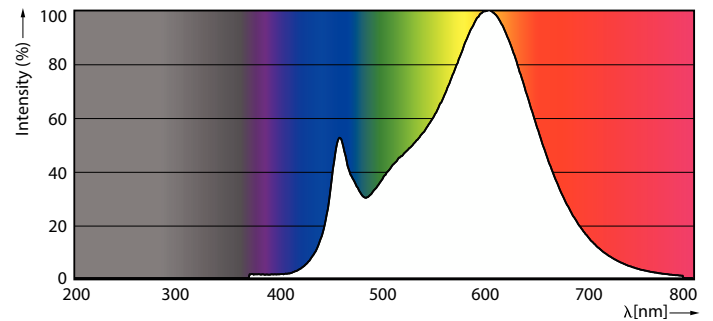


Product	D	C
LEDspots 5W MR16 830 60D	50.5 mm	45.5 mm

Photometric data



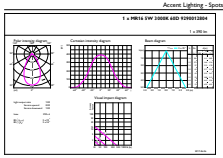
Light Distribution Diagram - LEDspots 5W MR16 830 60D



Spectral Power Distribution Colour - LEDspots 5W MR16 830 60D

Classic LED spotLV

Photometric data



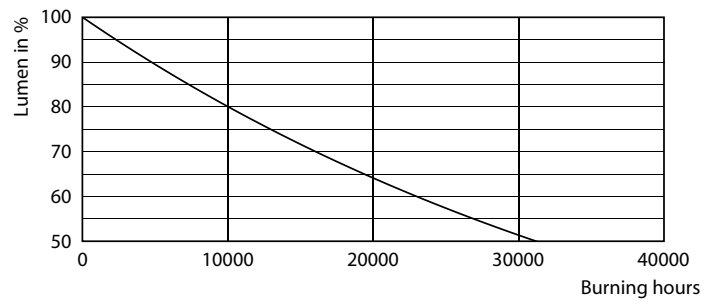
Classic Photometric Data Page Lighting LV Page 11

Accent Lighting Spots - LEDspots 5W MR16 830 60D

Lifetime



Life Expectancy Diagram



Lumen Maintenance Diagram

