



# Classic LED spotLV

## LEDspots 5W MR16 830 60D

LED, MR16, 50 W, GU5.3, 3000 K, 390 lm, 15000 h, Glass

LEDspotLV Classic offers an archetypal halogen-like design while delivering the benefits of LED technology, saving around 85% on energy consumption, minimizing maintenance cost, and much more besides. It is compatible with most existing fixtures with a GU 5.3 holder and is designed as a retrofit replacement for halogen or incandescent spots.

### Product data

General Information	
Cap-Base	GU5.3
Nominal lifetime	15,000 h
Switching Cycle	50,000
Rated Lifetime (Hours)	15,000 h
Lighting Technology	LED
Light Technical	
Color Code	830 [CCT of 3000K]
Beam Angle (Nom)	60 degree(s)
Luminous Flux	390 lm
Luminous Intensity (Nom)	400 cd
Color Designation	White (WH)
Correlated Color Temperature (Nom)	3000 K
Luminous Efficacy (rated) (Nom)	78 lm/W
Color Consistency	<6
Color rendering index (CRI)	80
LLMF At End Of Nominal Lifetime (Nom)	70 %

Operating and Electrical	
Line Frequency	- Hz
Input Frequency	- Hz
Power Consumption	5 W
Lamp Current (Nom)	580 mA
Wattage Equivalent	50 W
Starting Time (Nom)	0.5 s
Warm-up time to 60% light	0.5 s
Power Factor (Fraction)	0.6
Voltage (Nom)	ac electronic 12 V

Temperature	
T-Case Maximum (Nom)	65 °C

Controls and Dimming	
Dimmable	No

Mechanical and Housing	
Bulb Finish	Clear
Bulb Material	Glass

# Classic LED spotLV

Overall length	46 mm
Overall width	51 mm
Overall height	46 mm
Dimensions (Height x Width x Depth)	46 x 51 x 46 mm
Bulb Shape	MR16
Net Weight (Piece)	0.040 kg

## Approval and Application

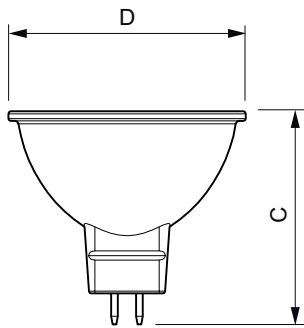
Suitable For Accent Lighting	Yes
Energy Consumption kWh/1000 h	6 kWh
EU RoHS compliant	Yes
Ambient temperature range	-20 to +40 °C

## Product Data

Order product name	LEDspots 5W MR16 830 60D
--------------------	--------------------------

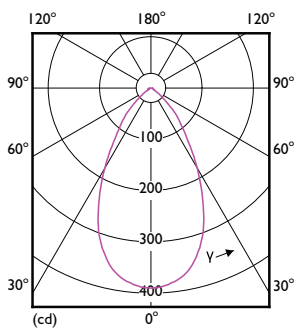
Full product name	LEDspots 5W MR16 830 60D
Full product code	871869967565300
Local code description	LED5MR16830NC1
Order code	929001280491
Material Nr. (12NC)	929001280491
Local order code	LED5MR16830NC1
Numerator - Quantity Per Pack	1
EAN/UPC - Product/Case	8718699675653
Numerator - Packs per outer box	4
EAN/UPC - Case	8718699675660

## Dimensional drawing

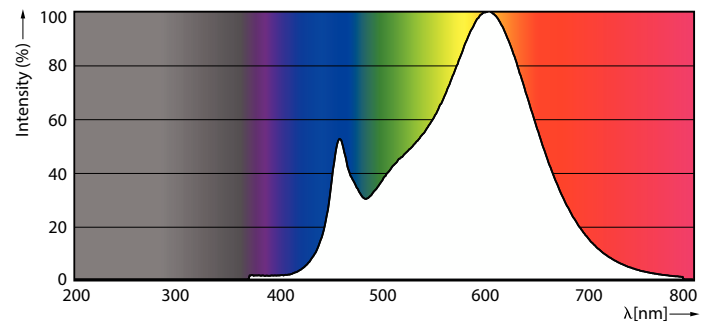


Product	D	C
LEDspots 5W MR16 830 60D	50.5 mm	45.5 mm

## Photometric data



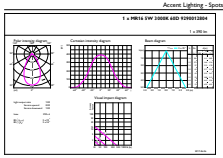
Light Distribution Diagram - LEDspots 5W MR16 830 60D



Spectral Power Distribution Colour - LEDspots 5W MR16 830 60D

# Classic LED spotLV

## Photometric data



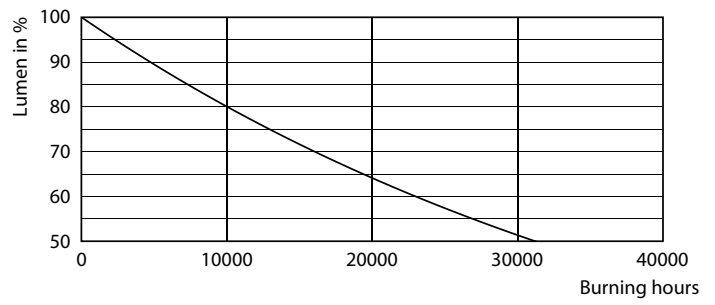
Calculat Photometric 01 Page Lighting 01 Page 11

## Accent Lighting Spots - LEDspots 5W MR16 830 60D

## Lifetime



Life Expectancy Diagram



Lumen Maintenance Diagram

