



Essential LED spot GU10



ESS LEDspots 50W GU10 865 36D ND TR

LEDspot, PAR16, 50 W, GU10, 6500 K, 430 lm, 15000 hour(s)

Essential LEDspots are compatible with most existing fixtures with a GU10 socket and are designed as a retrofit replacement for halogen spots. Essential LEDspots deliver significant energy savings and minimize initial investment.

Product data

General Information	
Cap-Base	GU10
Nominal lifetime	15,000 hour(s)
Switching Cycle	15,000
Lighting Technology	LEDspot
Flux measurement reference	Narrow Cone
Light Technical	
Color Code	865 [CCT of 6500K]
Beam Angle (Nom)	36 degree(s)
Luminous Flux	430 lm
Luminous Intensity (Nom)	750 cd
Color Designation	Cool Daylight
Correlated Color Temperature (Nom)	6500 K
Luminous Efficacy (rated) (Nom)	80.00 lm/W
Color Consistency	<6
Color rendering index (CRI)	80
LLMF At End Of Nominal Lifetime (Nom)	70 %

Operating and Electrical	
Line Frequency	50 to 60 Hz
Input Frequency	50 to 60 Hz
Power Consumption	4.7 W
Lamp Current (Nom)	38 mA
Wattage Equivalent	50 W
Starting Time (Nom)	0.5 s
Warm-up time to 60% light	0.5 s
Power Factor (Fraction)	0.5
Voltage (Nom)	220-240 V
Temperature	
T-Case Maximum (Nom)	75 °C
Controls and Dimming	
Dimmable	No
Mechanical and Housing	
Bulb Shape	PAR16

Essential LED spot GU10

Net Weight (Piece)	0.032 kg
--------------------	----------

Approval and Application

Energy Efficiency Class	F
Suitable For Accent Lighting	Yes
Energy Consumption kWh/1000 h	5 kWh
EPREL Registration Number	2458936
EU RoHS compliant	Yes
Ambient temperature range	-20 to +45 °C

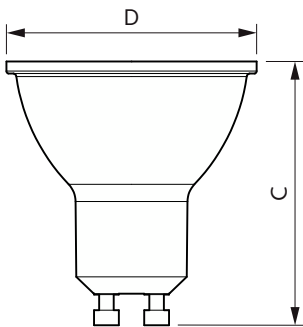
Application Conditions

Wireless Technology	Not applicable
---------------------	----------------

Product Data

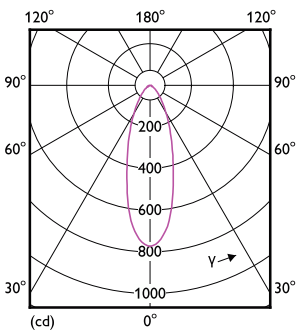
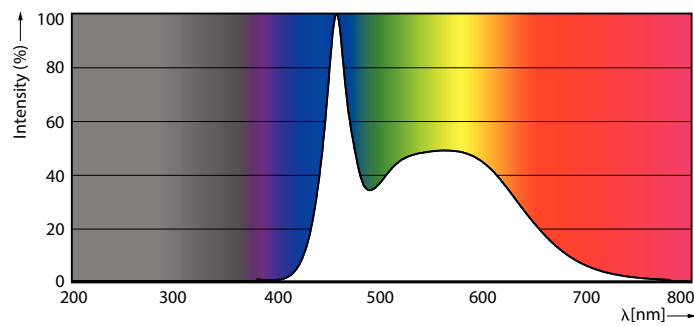
Order product name	ESS LEDspots 50W GU10 865 36D ND TR
Full product name	ESS LEDspots 50W GU10 865 36D ND TR
Full product code	871951440517200
Order code	929001259187
Material Nr. (12NC)	929001259187
Numerator - Quantity Per Pack	1
EAN/UPC - Product/Case	8719514405172
Numerator - Packs per outer box	10
EAN/UPC - Case	8719514405189

Dimensional drawing



Product	D	C
ESS LEDspots 50W GU10 865 36D ND TR	50 mm	54 mm

Photometric data

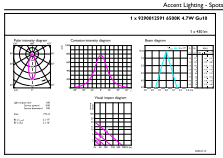


Spectral Power Distribution Colour - ESS LEDspots 50W GU10 865 36D ND TR

Light Distribution Diagram - ESS LEDspots 50W GU10 865 36D ND TR

Essential LED spot GU10

Photometric data

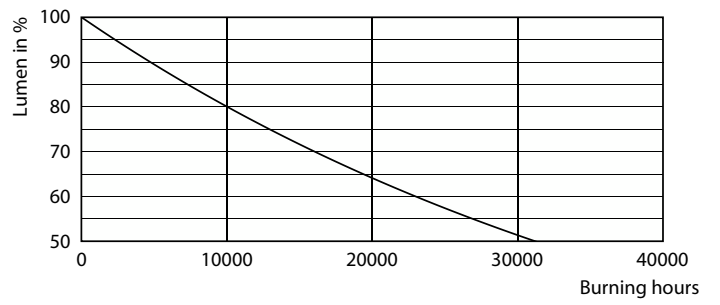


Accent Lighting Spots - ESS LEDspots 50W GU10 865 36D ND TR

Lifetime



Life Expectancy Diagram



Lumen Maintenance Diagram - ESS LEDspots 50W GU10 865 36D ND TR

