



# Essential LED spot MR16

5W (50W) GU5.3 cap Cool daylight Non-dimmable Spot

LEDspot, MR16, 50 W, GU5.3, 6500 K, 435 lm, 15000 hour(s)

Essential LEDspots MR16 are compatible with most existing fixtures with a GU5.3 socket and are designed as a retrofit replacement for halogen spots. Essential LEDspots MR16 deliver significant energy savings and minimize initial investment.

## Product data

General Information	
Cap-Base	GU5.3
Nominal lifetime	15,000 hour(s)
Switching Cycle	50,000
Rated Lifetime (Hours)	15,000 hour(s)
Lighting Technology	LEDspot
Light Technical	
Color Code	865 [CCT of 6500K]
Beam Angle (Nom)	24 degree(s)
Luminous Flux	435 lm
Luminous Intensity (Nom)	1,700 cd
Color Designation	Cool Daylight
Correlated Color Temperature (Nom)	6500 K
Luminous Efficacy (rated) (Nom)	87 lm/W
Color Consistency	<6
Color rendering index (CRI)	80

LLMF At End Of Nominal Lifetime (Nom) 70 %	
Operating and Electrical	
Line Frequency	- Hz
Input Frequency	- Hz
Power Consumption	5 W
Lamp Current (Nom)	580 mA
Wattage Equivalent	50 W
Starting Time (Nom)	0.5 s
Warm-up time to 60% light	1 s
Power Factor (Fraction)	0.5
Voltage (Nom)	ac electronic 12 V
Temperature	
T-Case Maximum (Nom)	76 °C

# Essential LED spot MR16

## Controls and Dimming

Dimmable	No
----------	----

## Mechanical and Housing

Overall length	47 mm
Overall width	50 mm
Overall height	46 mm
Dimensions (Height x Width x Depth)	46 x 50 x 47 mm
Bulb Shape	MR16
Net Weight (Piece)	0.045 kg

## Approval and Application

Suitable For Accent Lighting	Yes
EU RoHS compliant	Yes
Ambient temperature range	-20 to +45 °C

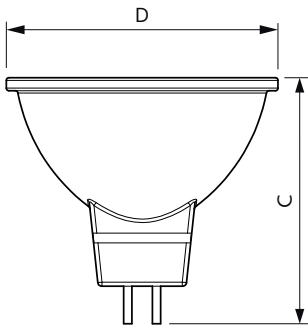
## Application Conditions

Wireless Technology	Not applicable
---------------------	----------------

## Product Data

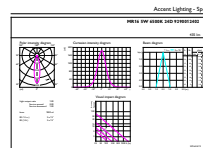
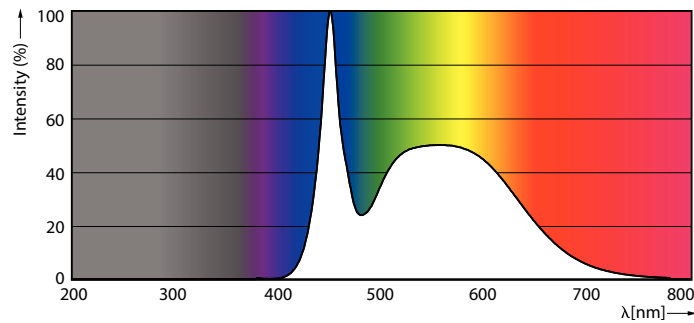
Order product name	5W (50W) GU5.3 cap Cool daylight Non-dimmable Spot
Full product name	5W (50W) GU5.3 cap Cool daylight Non-dimmable Spot
Full product code	871869657957200
Order code	929001240208
Material Nr. (12NC)	929001240208
Numerator - Quantity Per Pack	1
EAN/UPC - Product/Case	8718696579572
Numerator - Packs per outer box	10
EAN/UPC - Case	8718696579589

## Dimensional drawing



Product	D	C
5W (50W) GU5.3 cap Cool daylight Non-dimmable Spot	50 mm	46 mm

## Photometric data



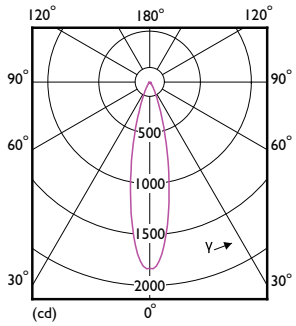
© 2024 Philips Lighting B.V. All rights reserved. Page 10

Spectral Power Distribution Colour - Essential LED 5-50W 6500K MR16 24D

Accent Lighting Spots - Essential LED 5-50W 6500K MR16 24D

# Essential LED spot MR16

## Photometric data



Light Distribution Diagram - Essential LED 5-50W 6500K MR16 24D

## Lifetime



Life Expectancy Diagram



Lumen Maintenance Diagram - Essential LED 5-50W 6500K MR16 24D

