



CorePro LED spot MV



Corepro LEDspot 3.5–35W GU10 827 36D UK

CorePro, LEDspot, PAR16, 35 W, GU10, 2700 K, 255 lm, CRI 80, 15000 hour(s)

CorePro LEDspots are a perfect fit for spot lighting and deliver warm halogen-like light. These GU10 LED spot lights are compatible with most existing fixtures with a GU10 LED base and are designed as a retrofit replacement for halogen or incandescent spots. CorePro LEDspots deliver significant energy savings and minimize maintenance costs.

Product data

General Information	
Cap-Base	GU10
Nominal lifetime	15,000 hour(s)
Switching Cycle	50,000
Lighting Technology	LEDspot
Light Technical	
Color Code	827 [CCT of 2700K]
Beam Angle (Nom)	36 degree(s)
Luminous Flux	255 lm
Luminous Intensity (Nom)	545 cd
Color Designation	Warm White (WW)
Correlated Color Temperature (Nom)	2700 K
Luminous Efficacy (rated) (Nom)	72.00 lm/W
Color Consistency	<6
Color rendering index (CRI)	80
LLMF At End Of Nominal Lifetime (Nom)	70 %
Luminous Flux in 90° Cone (Rated)	255 lm

Photobiological safety according to EN 62471	RG1
Operating and Electrical	
Line Frequency	50 to 60 Hz
Input Frequency	50 to 60 Hz
Power Consumption	3.5 W
Lamp Current (Nom)	32 mA
Wattage Equivalent	35 W
Starting Time (Nom)	0.5 s
Warm-up time to 60% light	0.5 s
Power Factor (Fraction)	0.5
Voltage (Nom)	220–240 V
Temperature	
T-Case Maximum (Nom)	75 °C

CorePro LED spot MV

Controls and Dimming

Dimmable	No
----------	----

Mechanical and Housing

Bulb Shape	PAR16
Net Weight (Piece)	0.045 kg

Approval and Application

Energy Efficiency Class	F
Suitable For Accent Lighting	Yes
Energy Consumption kWh/1000 h	4 kWh
EPREL Registration Number	391855
EU RoHS compliant	Yes
EyeComfort	Yes
Flickering value (PstLM) - Flickering value as per 1 EN 61000-3-3	
Stroboscopic effect visibility measure (SVM)	0.4
Ambient temperature range	-20 to +45 °C

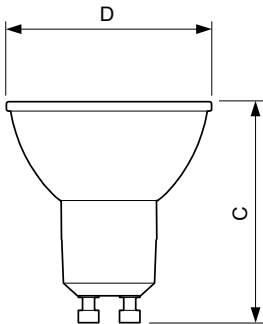
Application Conditions

can it be used in closed luminaires	No
-------------------------------------	----

Product Data

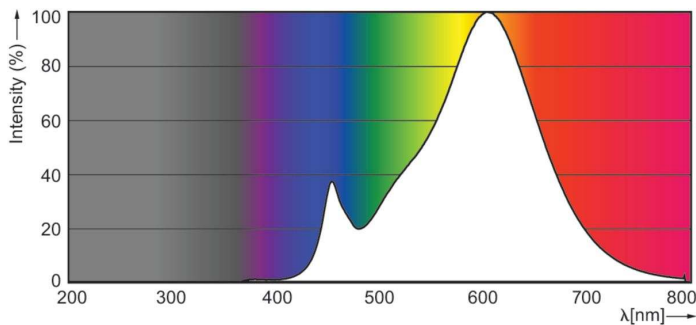
Order product name	Corepro LEDspot 3.5-35W GU10 827 36D UK
Full product name	Corepro LEDspot 3.5-35W GU10 827 36D UK
Full product code	871869675253101
Order code	929001217897
Material Nr. (12NC)	929001217897
Numerator - Quantity Per Pack	1
EAN/UPC - Product/Case	8718696752531
Numerator - Packs per outer box	10
EAN/UPC - Case	8719514406001

Dimensional drawing

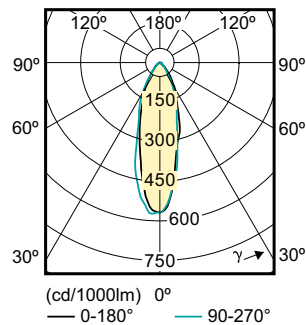


Product	D	C
Corepro LEDspot 3.5-35W GU10 827 36D UK	50 mm	54 mm

Photometric data



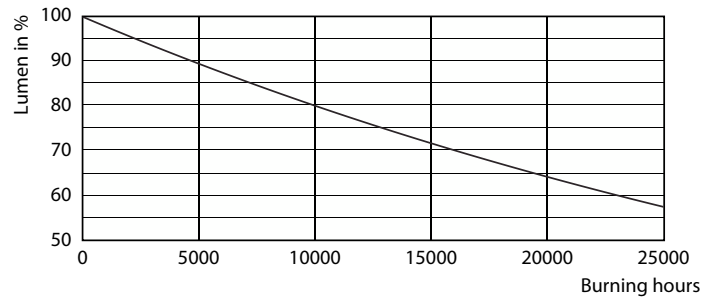
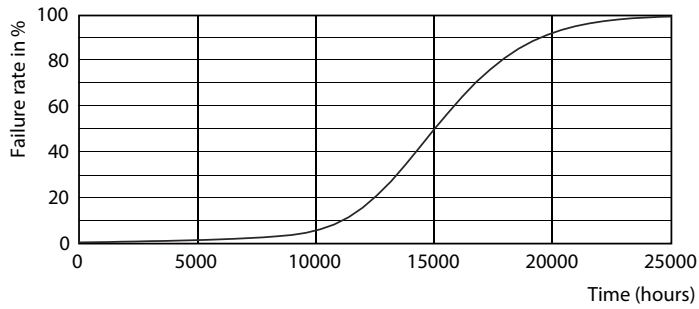
Spectral Power Distribution Colour - Corepro LEDspot 3.5-35W GU10 827 36D UK



Light Distribution Diagram - Corepro LEDspot 3.5-35W GU10 827 36D UK

CorePro LED spot MV

Lifetime



Life Expectancy Diagram

Lumen Maintenance Diagram - Corepro LEDspot 3.5-35W GU10 827 36D UK

