



MASTERColour CDM-T Elite

MASTERC CDM-T Elite 35W/942 G12 1CT

Single-ended, very high-efficiency, long-life Ceramic Metal Halide discharge lamp producing crisp white sparkling light with high color rendering

Warnings and Safety

- Use only in totally enclosed luminaire, even during testing (IEC61167, IEC 62035, IEC60598)
- The luminaire must be able to contain hot lamp parts if the lamp ruptures
- Use only with electronic control gear. 35W & 70W lamps may also use electromagnetic gear.
- Control gear must include end-of-life protection (IEC61167, IEC 62035)
- A lamp breaking is extremely unlikely to have any impact on your health. If a lamp breaks, ventilate the room for 30 minutes and remove the parts, preferably with gloves. Put them in a sealed plastic bag and take it to your local waste facilities for recycling. Do not use a vacuum cleaner.

Product data

General Information		Colour rendering index (CRI)	
Cap base	G12	Colour rendering index (CRI)	90
Operating position	UNIVERSAL [Any or Universal (U)]	Arc Length O (Nom)	5.2 mm
Flux measurement reference	Sphere	Operating and Electrical	
Life to 50% failures (nom.)	15,000 h	Power Consumption	39.1 W
		Voltage (nom.)	90 V
Light Technical		Controls and Dimming	
Colour Code	942 [CCT of 4200K]	Dimmable	No
Luminous Flux	3,850 lm	Mechanical and Housing	
Colour designation	Cool White (CW)	Lamp Finish	Clear
Chromaticity Coordinate X (Nom)	0.371	Bulb shape	T19
Chromaticity Coordinate Y (Nom)	0.366		
Correlated Colour Temperature (Nom)	4200 K		
Luminous efficacy (rated) (nom.)	98 lm/W		

MASTERC colour CDM-T Elite

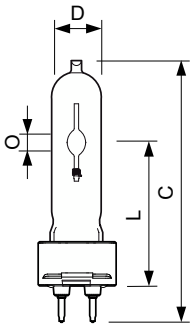
Net Weight (Piece)	0.028 kg
Approval and Application	
Energy Efficiency Class	F
Mercury (Hg) content (max.)	4.9 mg
Mercury (Hg) content (nom.)	4.9 mg
Energy consumption kWh/1,000 hours	40 kWh
EPREL Registration Number	473272
CE mark	Yes

Product Data

Order product name	MASTERC CDM-T Elite 35W/942 G12 1CT
--------------------	-------------------------------------

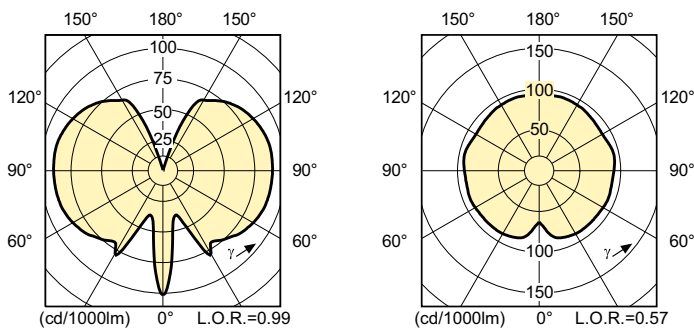
Full product name	MASTERC CDM-T Elite 35W/942 G12 1CT
Full EOC	871829116364000
Order code	928193605131
Material no. (12 NC)	928193605131
Local order code	CDMT35942
Numerator – quantity per pack	1
EAN/UPC – Product/Case	8718291163640
Numerator – packs per outer box	12
EAN/UPC – Case	8718291163657

Dimensional drawing

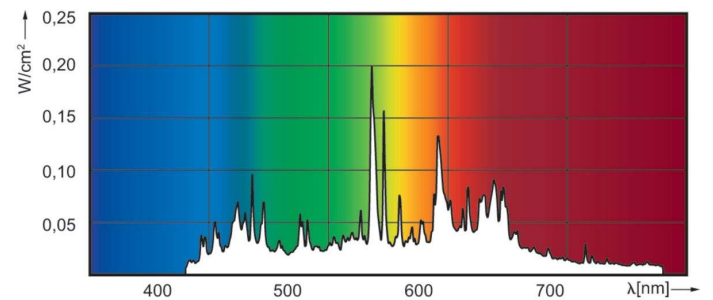


Product	D (max)	O	L (min)	L (max)	L	C (max)
MASTERC CDM-T Elite 35W/942 G12 1CT	20 mm	5.2 mm	55 mm	57 mm	56 mm	103 mm

Photometric data



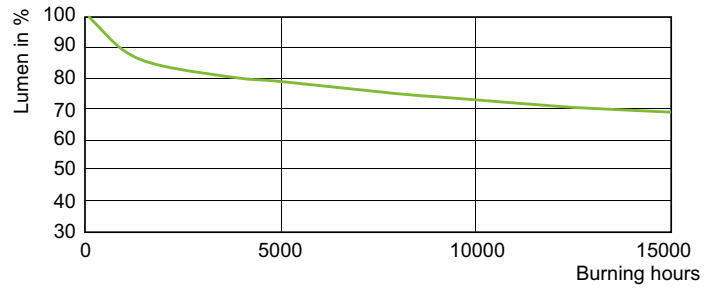
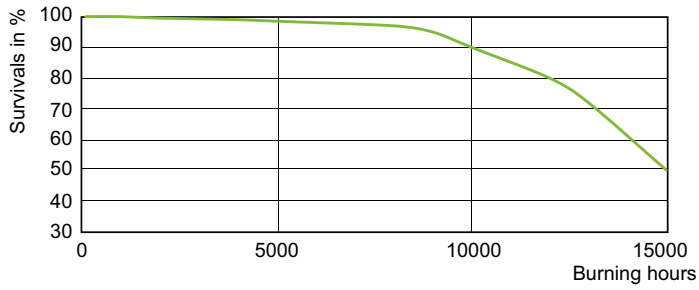
Light Distribution Diagram - MASTERC CDM-T Elite 35W/942 G12 1CT



Spectral Power Distribution Colour - MASTERC CDM-T Elite 35W/942 G12 1CT

MASTERC colour CDM-T Elite

Lifetime



LDLE_CDM-T-E_0010-Life expectancy diagram

Lumen Maintenance Diagram - MASTERC CDM-T Elite 35W/942 G12 1CT

