



# MASTERColour CDM-Rm Elite Mini



## MASTERColour CDM-Rm Elite Mini 20W/830 GX10 MR16 10D

Mini, very high-efficiency Ceramic Metal Halide discharge reflector lamp producing crisp white sparkling light with high color rendering

### Warnings and Safety

- Use only with electronic control gear
- Control gear must include end-of-life protection (IEC61167, IEC 62035).
- A lamp breaking is extremely unlikely to have any impact on your health. If a lamp breaks, ventilate the room for 30 minutes and remove the parts, preferably with gloves. Put them in a sealed plastic bag and take it to your local waste facilities for recycling. Do not use a vacuum cleaner.

### Product data

General Information		Operating and Electrical	
Cap-Base	GX10	Correlated Color Temperature (Nom)	3000 K
Operating Position	UNIVERSAL [Any or Universal (U)]	Luminous Efficacy (rated) (Nom)	49 lm/W
Switching Cycle	1,350	Color rendering index (CRI)	84
Flux measurement reference	Narrow Cone	LLMF At End Of Nominal Lifetime (Nom)	70 %
Life to 50% Failures (Nom)	15,000 hour(s)	Luminous Flux in 90° Cone (Rated)	880 lm
Light Technical		Power Consumption	20.1 W
Color Code	830 [CCT of 3000K]	Warm-up time to 60% light	120 s
Beam Angle (Nom)	10 degree(s)	Voltage (Nom)	95 V
Luminous Flux	880 lm	Controls and Dimming	
Luminous Intensity (Nom)	14,500 cd	Dimmable	No
Chromaticity Coordinate X (Nom)	0.434		
Chromaticity Coordinate Y (Nom)	0.398		

# MASTERCcolour CDM-Rm Elite Mini

## Mechanical and Housing

Bulb Shape	MR16
Net Weight (Piece)	0.047 kg

## Approval and Application

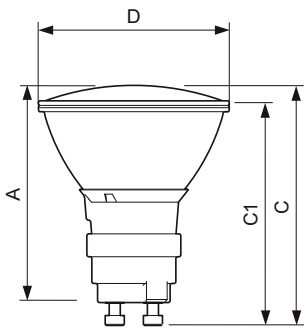
Energy Efficiency Class	G
Mercury (Hg) Content (Max)	3.5 mg
Mercury (Hg) Content (Nom)	3.5 mg
Energy Consumption kWh/1000 h	21 kWh
EPREL Registration Number	473266
CE mark	Yes

## Product Data

Order product name	CDM-Rm Elite Mini 20W/830 GX10 MR16 10D
--------------------	---

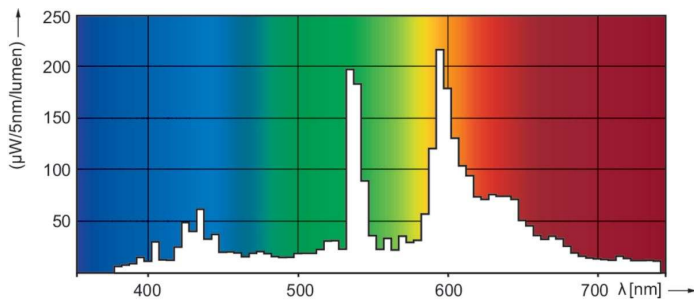
Full product name	MASTERCcolour CDM-Rm Elite Mini 20W/830 GX10 MR16 10D
Full product code	871829120274500
Order code	20274500
Material Nr. (12NC)	928191005331
Numerator - Quantity Per Pack	1
EAN/UPC - Product/Case	8718291202745
Numerator - Packs per outer box	12
EAN/UPC - Case	8718291202752

## Dimensional drawing

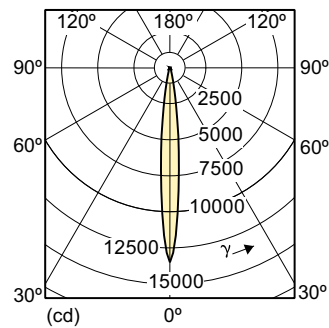


Product	D (max)	D	C (max)	C	C1 (max)	A (max)
CDM-Rm Elite Mini 20W/830 GX10 MR16 10D	51 mm	50 mm	65.4 mm	62.75 mm	60.9 mm	59 mm

## Photometric data



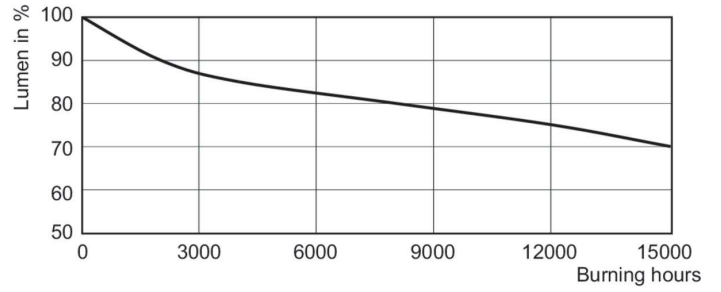
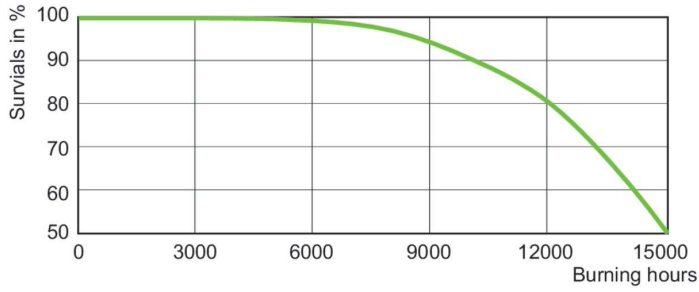
Spectral Power Distribution Colour - CDM-Rm Elite Mini 20W/830 GX10 MR16 10D



Light Distribution Diagram - CDM-Rm Elite Mini 20W/830 GX10 MR16 10D

# MASTERCcolour CDM-Rm Elite Mini

## Lifetime



LDLE\_CDM-Rm\_0003-Life expectancy diagram

Lumen Maintenance Diagram - CDM-Rm Elite Mini 20W/830 GX10 MR16 10D

