



MASTERCcolour CDM-TC Elite

MASTERC CDM-TC Elite 20W/830 G8.5 1CT/12

Single-ended, compact size, high-efficiency Ceramic Metal Halide discharge lamp

Warnings and Safety

- Use only in totally enclosed luminaire, even during testing (IEC61167, IEC 62035, IEC60598)
- Use only in totally enclosed luminaire, even during testing (IEC61167, IEC 62035, IEC60598)
- The luminaire must be able to contain hot lamp parts if the lamp ruptures
- The luminaire must be able to contain hot lamp parts if the lamp ruptures
- Use only with electronic control gear
- Use only with electronic control gear
- Control gear must include end-of-life protection (IEC61167, IEC 62035)
- Control gear must include end-of-life protection (IEC61167, IEC 62035)
- A lamp breaking is extremely unlikely to have any impact on your health. If a lamp breaks, ventilate the room for 30 minutes and remove the parts, preferably with gloves. Put them in a sealed plastic bag and take it to your local waste facilities for recycling. Do not use a vacuum cleaner.
- A lamp breaking is extremely unlikely to have any impact on your health. If a lamp breaks, ventilate the room for 30 minutes and remove the parts, preferably with gloves. Put them in a sealed plastic bag and take it to your local waste facilities for recycling. Do not use a vacuum cleaner.

Product data

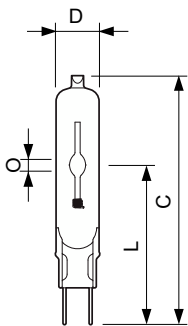
General Information		Luminous Flux	
Cap-Base	G8.5	Luminous Flux	1,750 lm
Operating Position	UNIVERSAL [Any or Universal (U)]	Color Designation	Warm White (WW)
Flux measurement reference	Sphere	Chromaticity Coordinate X (Nom)	0.434
Life to 50% Failures (Nom)	20,000 hour(s)	Chromaticity Coordinate Y (Nom)	0.398
Light Technical		Correlated Color Temperature (Nom)	3000 K
Color Code	830 [CCT of 3000K]	Luminous Efficacy (rated) (Nom)	87 lm/W
		Color rendering index (CRI)	85

MASTERC colour CDM-TC Elite

Arc Length O (Nom)	4 mm
Operating and Electrical	
Power Consumption	20.1 W
Voltage (Nom)	95 V
Controls and Dimming	
Dimmable	No
Mechanical and Housing	
Bulb Finish	Clear
Bulb Material	UV-Block Quartz
Bulb Shape	T14
Net Weight (Piece)	9.000 g
Approval and Application	
Energy Efficiency Class	G
Mercury (Hg) Content (Max)	3.5 mg

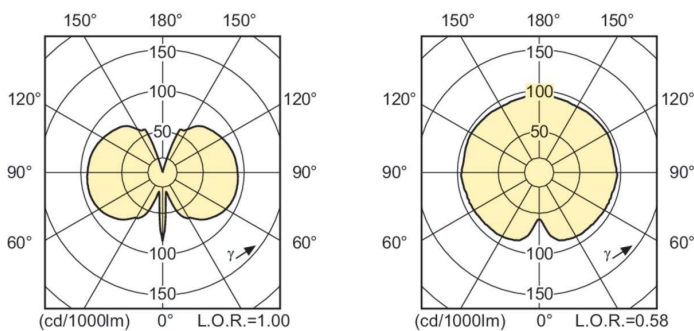
Mercury (Hg) Content (Nom)	3.5 mg
Energy Consumption kWh/1000 h	21 kWh
EPREL Registration Number	473254
CE mark	Yes
Product Data	
Order product name	MASTERC CDM-TC Elite 20W/830 G8.5 1CT/12
Full product name	MASTERC CDM-TC Elite 20W/830 G8.5 1CT/12
Full product code	872790087158600
Order code	928183405125
Material Nr. (12NC)	928183405125
Numerator - Quantity Per Pack	1
EAN/UPC - Product/Case	8727900871586
Numerator - Packs per outer box	12
EAN/UPC - Case	8727900871593

Dimensional drawing

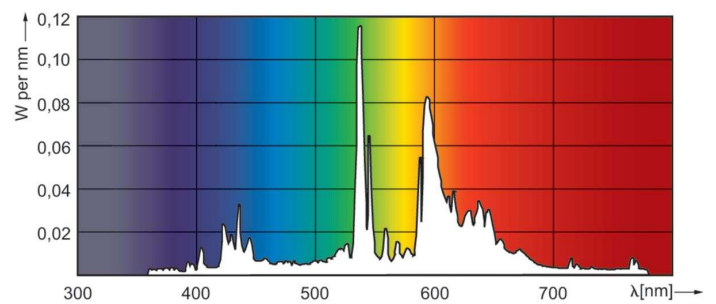


Product	D (max)	D	O	L (min)	L (max)	L	C (max)
MASTERC CDM-TC Elite 20W/830 G8.5 1CT/12	15 mm	0.55 inch	4 mm	51 mm	53 mm	52 mm	85 mm

Photometric data



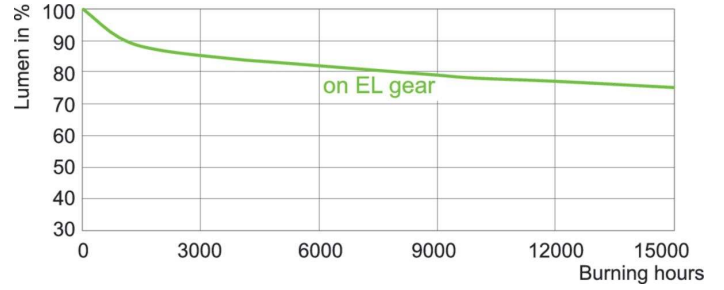
Light Distribution Diagram - MASTERC CDM-TC Elite 20W/830 G8.5 1CT/12



Spectral Power Distribution Colour - MASTERC CDM-TC Elite 20W/830 G8.5 1CT/12

MASTERCcolour CDM-TC Elite

Lifetime



LDLE_CDM-T-E_0006-Life expectancy diagram

Lumen Maintenance Diagram - MASTERC CDM-TC Elite 20W/830 G8.5
1CT/12

