



MASTERColour CDM-T

MASTERC CDM-T 250W/942 G12 1CT/12

Range of single-ended, compact, high-efficiency, discharge lamps with a stable colour over lifetime and a crisp, sparkling light

Warnings and Safety

- Use only in totally enclosed luminaire, even during testing (IEC61167, IEC 62035, IEC60598)
- The luminaire must be able to contain hot lamp parts if the lamp ruptures
- Control gear must include end-of-life protection (IEC61167, IEC 62035)
- Lamps may use electronic or electromagnetic control gear, except 35W/942 and 20W lamps, which must use electronic control gear.
- A lamp breaking is extremely unlikely to have any impact on your health. If a lamp breaks, ventilate the room for 30 minutes and remove the parts, preferably with gloves. Put them in a sealed plastic bag and take it to your local waste facilities for recycling. Do not use a vacuum cleaner.

Product data

General Information	
Cap base	G12
Operating position	UNIVERSAL [Any or Universal (U)]
Flux measurement reference	Sphere
Life to 50% failures (nom.)	15,000 h

Light Technical	
Colour Code	942 [CCT of 4200K]
Luminous Flux	26,250 lm
Colour designation	Cool White (CW)
Chromaticity Coordinate X (Nom)	0.371
Chromaticity Coordinate Y (Nom)	0.366
Correlated Colour Temperature (Nom)	4200 K

Luminous efficacy (rated) (nom.)	105 lm/W
Colour rendering index (CRI)	91
Arc Length O (Nom)	12.3 mm

Operating and Electrical	
Power Consumption	250.0 W
Voltage (nom.)	93 V

Controls and Dimming	
Dimmable	No

Mechanical and Housing	
Lamp Finish	Clear

MASTERC colour CDM-T

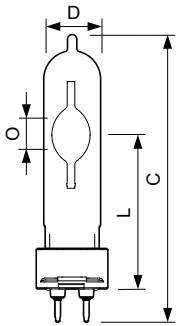
Bulb shape	T24
Net Weight (Piece)	0.039 kg
Approval and Application	
Energy Efficiency Class	F
Mercury (Hg) content (max.)	20 mg
Mercury (Hg) content (nom.)	20.0 mg
Energy consumption kWh/1,000 hours	250 kWh
EPREL Registration Number	473354

Product Data

Order product name	MASTERC CDM-T 250W/942 G12 1CT/12
--------------------	-----------------------------------

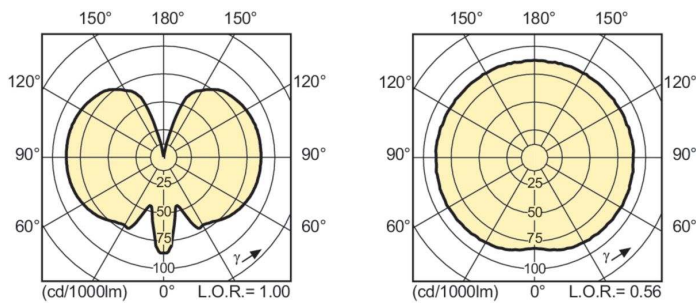
Full product name	MASTERC CDM-T 250W/942 G12 1CT/12
Full EOC	871150021112515
Order code	928094205131
Material no. (12 NC)	928094205131
Local order code	250CDMT942
Numerator – quantity per pack	1
EAN/UPC – Product/Case	8711500211125
Numerator – packs per outer box	12
EAN/UPC – Case	8711500211132

Dimensional drawing

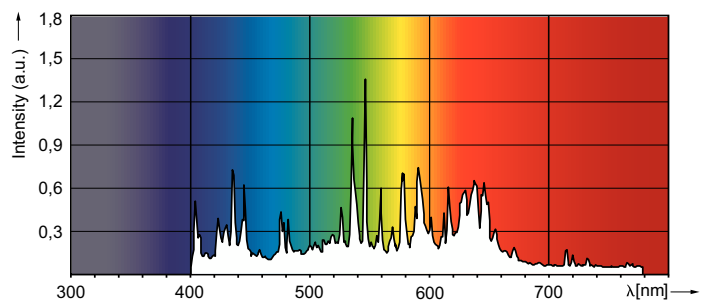


Product	D (max)	O	L (min)	L (max)	L	C (max)
MASTERC CDM-T 250W/942 G12 1CT/12	25 mm	12.3 mm	71.5 mm	73.5 mm	72.5 mm	135 mm

Photometric data



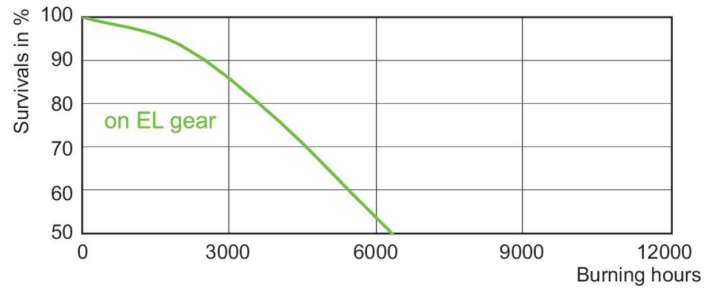
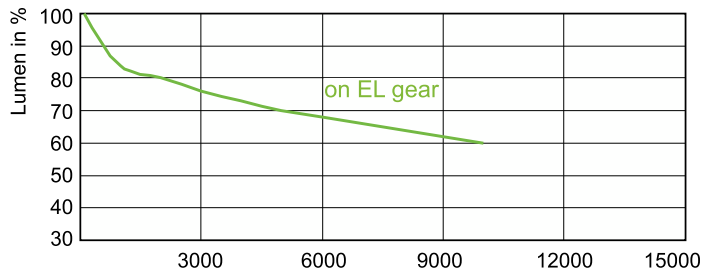
Light Distribution Diagram - MASTERC CDM-T 250W/942 G12 1CT/12



Spectral Power Distribution Colour - MASTERC CDM-T 250W/942 G12 1CT/12

MASTERC colour CDM-T

Lifetime



Lumen Maintenance Diagram - MASTER CDM-T 250W/942 G12 1CT/12

LDLE_CDM-T_250W_942-Life expectancy diagram

