



MASTERCcolour CDM-Tm Mini PGJ5

MASTERC CDM-Tm Mini 35W/930 PGJ5 1CT/12

Miniature, single-ended ceramic metal halide lamp. PGJ5 twist-lock lamp base

Warnings and Safety

- Use only in totally enclosed luminaire, even during testing (IEC61167, IEC 62035, IEC60598)
- The luminaire must be able to contain hot lamp parts if the lamp ruptures
- Use only with electronic control gear
- Control gear must include end-of-life protection (IEC61167, IEC 62035)
- For 20W PGJ5 lamp, use only Philips electronic control gear HID PV mini PGJ5 20W
- For 35W PGJ5 lamp, use only Philips electronic control gear HID PV mini PGJ5 35W
- A lamp breaking is extremely unlikely to have any impact on your health. If a lamp breaks, ventilate the room for 30 minutes and remove the parts, preferably with gloves. Put them in a sealed plastic bag and take it to your local waste facilities for recycling. Do not use a vacuum cleaner.

Product data

General Information		Luminous efficacy (rated) (nom.)		77 lm/W
Cap base	PGJ5	Colour rendering index (CRI)	91	
Operating position	UNIVERSAL [Any or Universal (U)]	Arc Length O (Nom)	4 mm	
Flux measurement reference	Sphere	Operating and Electrical		
Life to 50% failures (nom.)	12,000 h	Power Consumption	39.1 W	
Light Technical		Voltage (nom.)	96 V	
Colour Code	930 [CCT of 3000K]	Controls and Dimming		
Luminous Flux	3,000 lm	Dimmable	No	
Colour designation	Warm White (WW)	Mechanical and Housing		
Chromaticity Coordinate X (Nom)	0.434	Lamp Finish	Clear	
Chromaticity Coordinate Y (Nom)	0.398			
Correlated Colour Temperature (Nom)	3000 K			

MASTERC colour CDM-Tm Mini PGJ5

Bulb shape	T13.3
Net Weight (Piece)	0.006 kg

Approval and Application

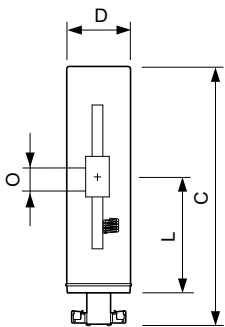
Energy Efficiency Class	G
Mercury (Hg) content (max.)	2.7 mg
Mercury (Hg) content (nom.)	2.74 mg
Energy consumption kWh/1,000 hours	40 kWh
EPREL Registration Number	473353
CE mark	Yes

Product Data

Order product name	MASTERC CDM-Tm Mini 35W/930 PGJ5 1CT/12
--------------------	-----------------------------------------

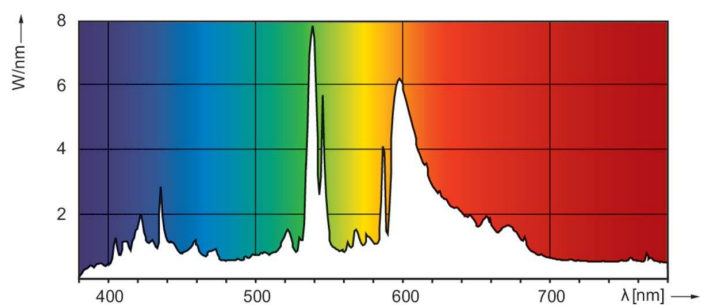
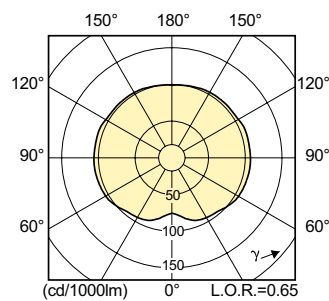
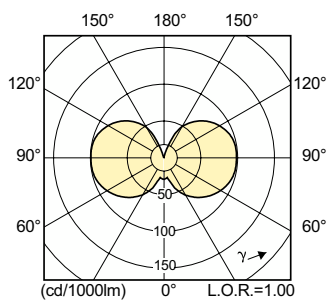
Full product name	MASTERC CDM-Tm Mini 35W/930 PGJ5 1CT/12
Full EOC	871150021149115
Order code	928093905130
Material no. (12 NC)	928093905130
Local order code	35CDMTM930
Numerator – quantity per pack	1
EAN/UPC – Product/Case	8711500211491
Numerator – packs per outer box	12
EAN/UPC – Case	8711500211507

Dimensional drawing



Product	D (max)	D	O	L (min)	L (max)	L	C (max)
MASTERC CDM-Tm	13.2 mm	0.44 in	4 mm	22.3 mm	22.9 mm	22.6	52 mm
Mini 35W/930 PGJ5							mm
1CT/12							

Photometric data

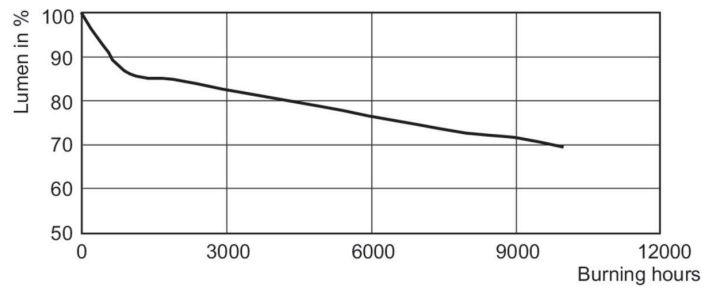
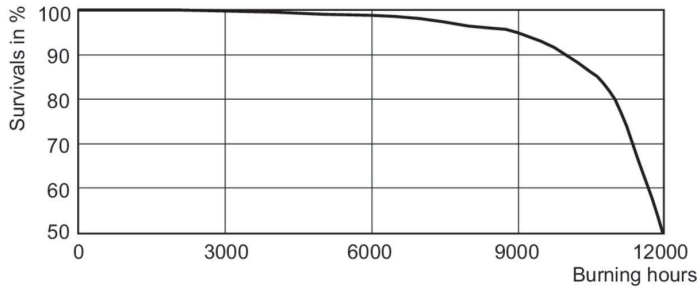


Light Distribution Diagram - MASTERC CDM-Tm Mini 35W/930 PGJ5 1CT/12

Spectral Power Distribution Colour - MASTERC CDM-Tm Mini 35W/930 PGJ5 1CT/12

MASTERC colour CDM-Tm Mini PGJ5

Lifetime



LDLE_CDM-Tm_35W_930_PGJ5-Life expectancy diagram

Lumen Maintenance Diagram - MASTERC CDM-Tm Mini 35W/930 PGJ5
1CT/12

