



# MASTER CityWhite CDO-TT

## MASTER CityWh CDO-TT Plus 100W/828 E40

Ceramic metal halide lamp with clear tubular outer bulb shape, used in outdoor offering pleasant white light

### Warnings and Safety

- Use only in totally enclosed luminaire, even during testing (IEC61167, IEC 62035, IEC60598)
- The luminaire must be able to contain hot lamp parts if the lamp ruptures
- Lamps may use electromagnetic control gear or electronic gear suitable to drive CDO lamps (e.g. HID-PV Xt CDO)
- Control gear must include end-of-life protection (IEC61167, IEC 62035)
- Warm restart time can be up to 15 minutes; T15 ignitors therefore advised
- A lamp breaking is extremely unlikely to have any impact on your health. If a lamp breaks, ventilate the room for 30 minutes and remove the parts, preferably with gloves. Put them in a sealed plastic bag and take it to your local waste facilities for recycling. Do not use a vacuum cleaner.

### Product data

General Information		Luminous Efficacy (rated) (Nom)	
Cap-Base	E40		106 lm/W
Operating Position	UNIVERSAL [Any or Universal (U)]	Color rendering index (CRI)	88
Flux measurement reference	Sphere	Arc Length O (Nom)	8.5 mm
Life to 50% Failures (Nom)	27,000 hour(s)	<b>Operating and Electrical</b>	
<b>Light Technical</b>		Power Consumption	99.0 W
Color Code	828 [CCT of 2800K]	Voltage (Nom)	100 V
Luminous Flux	10,450 lm	<b>Controls and Dimming</b>	
Color Designation	Warm White (WW)	Dimmable	Yes
Chromaticity Coordinate X (Nom)	0.447	<b>Mechanical and Housing</b>	
Chromaticity Coordinate Y (Nom)	0.4	Bulb Finish	Clear
Correlated Color Temperature (Nom)	2800 K		

# MASTER CityWhite CDO-TT

Bulb Shape	T46
Net Weight (Piece)	0.137 kg

## Approval and Application

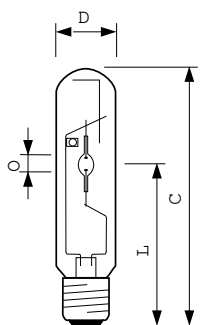
Energy Efficiency Class	F
Mercury (Hg) Content (Max)	12 mg
Mercury (Hg) Content (Nom)	11.6 mg
Energy Consumption kWh/1000 h	99 kWh
EPREL Registration Number	473325
CE mark	Yes

## Product Data

Order product name	MASTER CityWh CDO-TT Plus 100W/828 E40
--------------------	--

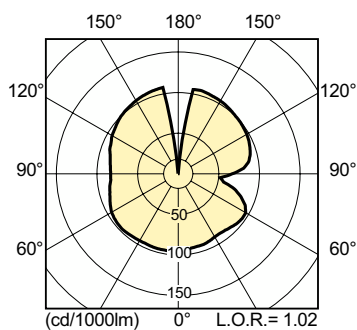
Full product name	MASTER CityWh CDO-TT Plus 100W/828 E40
Full product code	871829112032200
Order code	928082119231
Material Nr. (12NC)	928082119231
Numerator - Quantity Per Pack	1
EAN/UPC - Product/Case	8718291120322
Numerator - Packs per outer box	12
EAN/UPC - Case	8718291120339

## Dimensional drawing

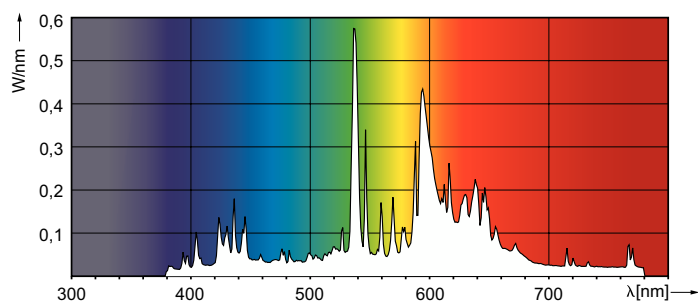


Product	D (max)	O	L	C (max)
MASTER CityWh CDO-TT Plus 100W/828 E40	47 mm	8.5 mm	132 mm	211 mm

## Photometric data



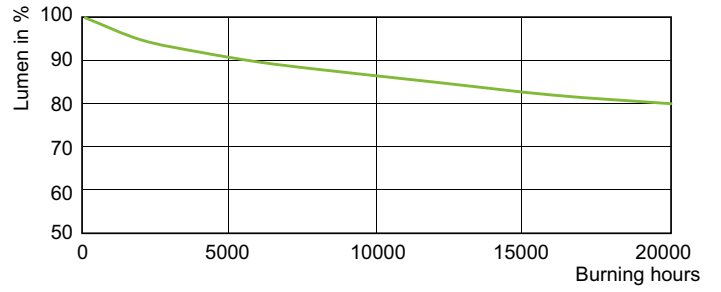
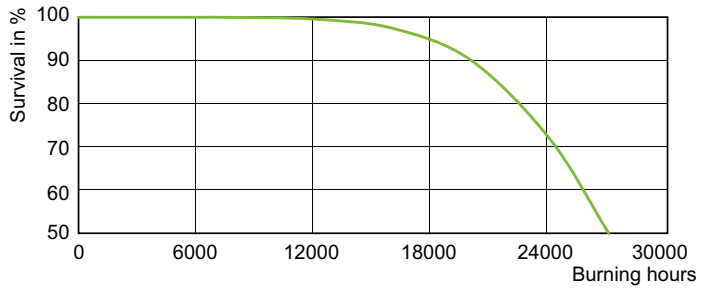
Light Distribution Diagram - MASTER CityWh CDO-TT Plus 100W/828 E40



Spectral Power Distribution Colour - MASTER CityWh CDO-TT Plus 100W/828 E40

# MASTER CityWhite CDO-TT

## Lifetime



LDLE\_CDO-TT\_0002-Life expectancy diagram

Lumen Maintenance Diagram - MASTER CityWh CDO-TT Plus 100W/828 E40

