



# MASTER MHN-FC

## MASTER MHN-FC 1000W/740 230V XW

Compact quartz metal halide lamps with double pinch

### Warnings and Safety

- Use only in totally enclosed luminaire, even during testing (IEC61167, IEC 62035, IEC60598)
- The luminaire must be able to contain hot lamp parts if the lamp ruptures
- A lamp breaking is extremely unlikely to have any impact on your health. If a lamp breaks, ventilate the room for 30 minutes and remove the parts, preferably with gloves. Put them in a sealed plastic bag and take it to your local waste facilities for recycling. Do not use a vacuum cleaner.

### Product data

General Information	
Cap base	Double Ended
Operating position	P5 [Parallel +/-5D or Horizontal(HOR)]
Life to 50% failures (nom.)	12,000 h

Light Technical	
Colour Code	740 [CCT of 4000K]
Colour designation	White (WH)
Chromaticity Coordinate X (Nom)	374
Chromaticity Coordinate Y (Nom)	366
Correlated Colour Temperature (Nom)	4100 K
Luminous efficacy (rated) (nom.)	91 lm/W
Colour rendering index (CRI)	65
Arc Length O (Nom)	42.5 mm

Operating and Electrical	
Power Consumption	1,040.0 W
Voltage (nom.)	130 V

Controls and Dimming	
Dimmable	No

Mechanical and Housing	
Lamp Finish	Clear
Net Weight (Piece)	140.000 g

Approval and Application	
Mercury (Hg) content (nom.)	74 mg
Energy consumption kWh/1,000 hours	1,144 kWh
CE mark	Yes

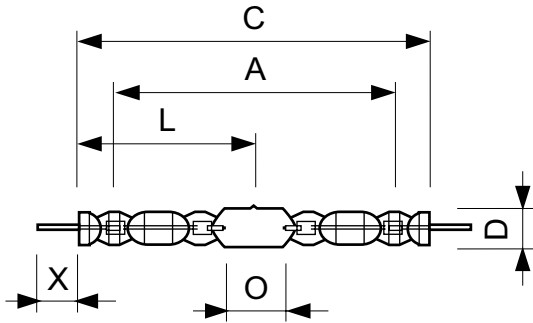
Product Data	
Order product name	MASTER MHN-FC 1000W/740 230V XW
Full product name	MASTER MHN-FC 1000W/740 230V XW
Full EOC	871150021424900
Order code	928075705130
Material no. (12 NC)	928075705130
Local order code	MHNFC10007402

# MASTER MHN-FC

Numerator – quantity per pack	1
EAN/UPC – Product/Case	8718291548256
Numerator – packs per outer box	1

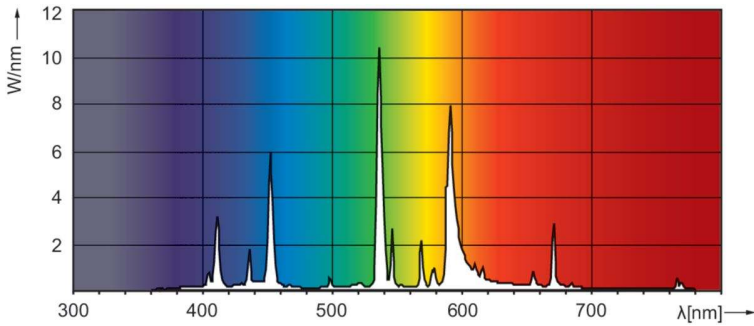
EAN/UPC - Case	8711500214249
----------------	---------------

## Dimensional drawing



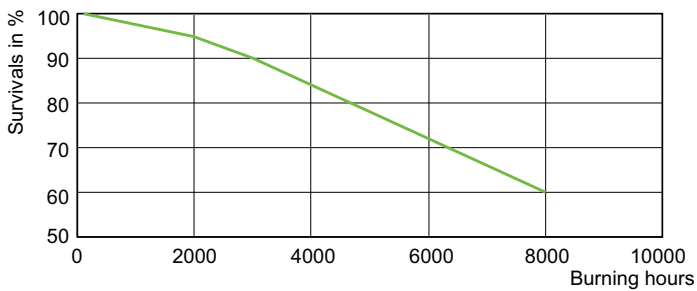
Product	D (max)	D	O	X	L	A	C (max)
MASTER MHN-FC 1000W/740 230V XW	33 mm	25.5 mm	42.5 mm	58 mm	144 mm	226 mm	290 mm

## Photometric data

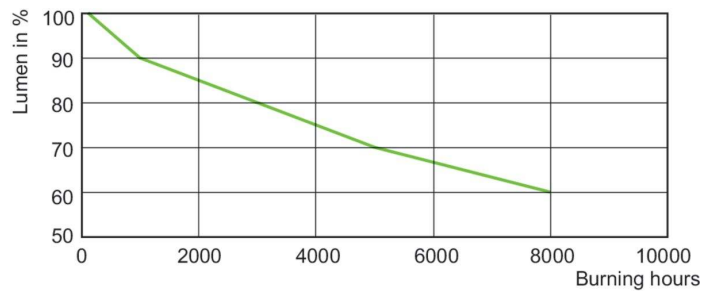


Spectral Power Distribution Colour - MASTER MHN-FC 1000W/740 230V XW

## Lifetime



LDLE\_MHN-FC\_1000W\_740\_750-Life expectancy diagram



Lumen Maintenance Diagram - MASTER MHN-FC 1000W/740 230V XW

