



MASTERColour CDM MW Eco



MASTERColour CDM-T MW eco 360W/842 E40

Ceramic metal halide lamps with clear tubular or coated ellipsoid outer bulb, tailor-made to replace and outperform quartz metal halide lamps on existing gear.

Warnings and Safety

- For use with control gear designed for high-pressure mercury or high-pressure sodium lamps with an external ignitor
- A lamp breaking is extremely unlikely to have an impact on your health. If a lamp breaks, ventilate the room for 30 minutes and remove the parts, preferably with gloves. Put them in a sealed plastic bag and take it to your local waste facilities for recycling. Do not use a vacuum cleaner.
- Warm restart time can be up to 15 minutes; T15 ignitors therefore advised.

Product data

General Information		Arc Length O (Nom)	
Cap base	E40	11.9 mm	
Operating position	P45 [Parallel +/-45D or Horizontal(HOR)]	Operating and Electrical	
Flux measurement reference	Sphere	Power Consumption	361.0 W
Life to 50% failures (nom.)	30,000 h	Voltage (nom.)	123 V
Light Technical		Controls and Dimming	
Colour Code	842 [CCT of 4200K]	Dimmable	No
Luminous Flux	35,400 lm	Mechanical and Housing	
Colour designation	Cool White (CW)	Lamp Finish	Clear
Chromaticity Coordinate X (Nom)	0.371	Bulb material	Hard Glass
Chromaticity Coordinate Y (Nom)	0.366	Bulb shape	T46
Correlated Colour Temperature (Nom)	4200 K	Net Weight (Piece)	166.000 g
Luminous efficacy (rated) (nom.)	98.06 lm/W		
Colour rendering index (CRI)	88		

MASTERCcolour CDM MW Eco

Approval and Application

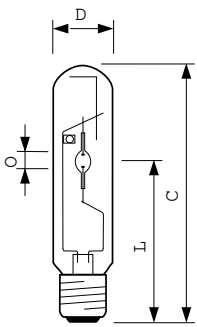
Energy Efficiency Class	F
Mercury (Hg) content (max.)	48 mg
Mercury (Hg) content (nom.)	48.0 mg
Energy consumption kWh/1,000 hours	361 kWh
EPREL Registration Number	2070942
CE mark	Yes

Product Data

Order product name	MASTERCcolour CDM-T MW eco 360W/842 E40
--------------------	---

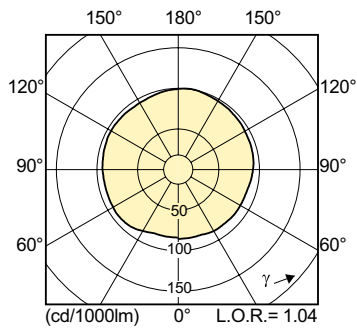
Full product name	MASTERCcolour CDM-T MW eco 360W/842 E40
Full EOC	871869664610600
Order code	928070319230
Material no. (12 NC)	928070319230
Numerator – quantity per pack	1
EAN/UPC – Product/Case	8718696646106
Numerator – packs per outer box	12
EAN/UPC – Case	8718696646113

Dimensional drawing

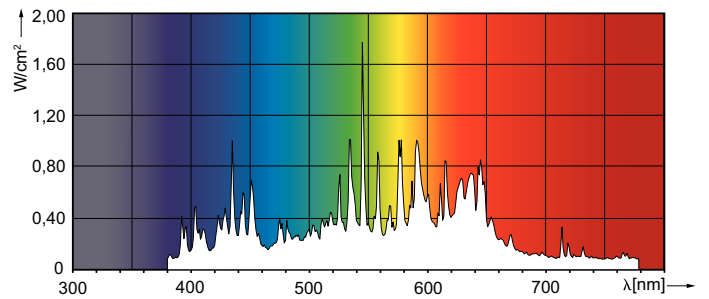


Product	D	O	L	C (max)
MASTERColour CDM-T MW eco 360W/842 E40	47 mm	11.9 mm	161 mm	257 mm

Photometric data



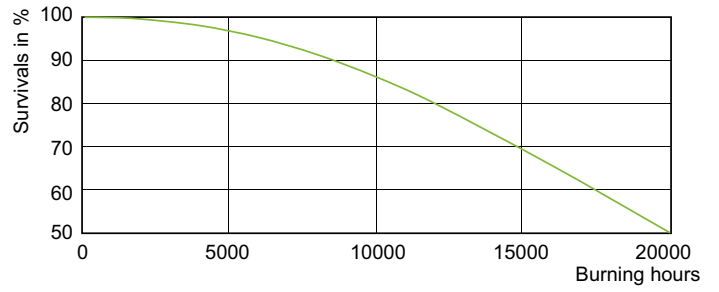
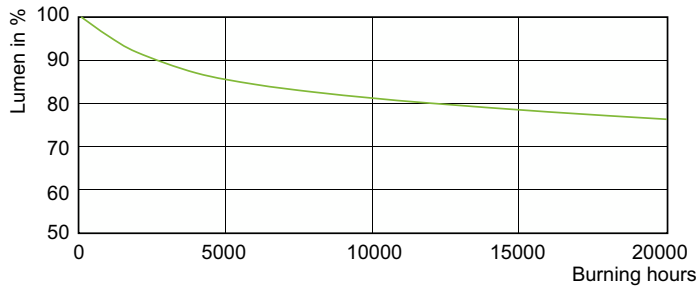
Light Distribution Diagram - MASTERColour CDM-T MW eco 360W/842 E40



Spectral Power Distribution Colour - MASTERColour CDM-T MW eco 360W/842 E40

MASTERColour CDM MW Eco

Lifetime



Lumen Maintenance Diagram - MASTERColour CDM-T MW eco 360W/842 E40

MASTERColour CDM MW eco /842

