



# MASTERCoulour CDM MW Eco



## MASTERCoulour CDM-T MW eco 360W/842 E40

Ceramic metal halide lamps with clear tubular or coated ellipsoid outer bulb, tailor-made to replace and outperform quartz metal halide lamps on existing gear.

### Warnings and Safety

- For use with control gear designed for high pressure mercury or high-pressure sodium lamps with external ignitor
- A lamp breaking is extremely unlikely to have an impact on your health. If a lamp breaks, ventilate the room for 30 minutes and remove the parts, preferably with gloves. Put them in a sealed plastic bag and take it to your local waste facilities for recycling. Do not use a vacuum cleaner.
- Warm restart time can be up to 15 minutes; T15 ignitors therefore advised.

### Product data

General Information		Arc Length O (Nom)		Operating and Electrical	
Cap-Base	E40		11.9 mm	Power Consumption	361.0 W
Operating Position	P45 [Parallel +/-45D or Horizontal(HOR)]			Voltage (Nom)	123 V
Flux measurement reference	Sphere				
Life to 50% Failures (Nom)	30,000 hour(s)			Controls and Dimming	
				Dimmable	No
Light Technical				Mechanical and Housing	
Color Code	842 [CCT of 4200K]	Bulb Finish	Clear	Bulb Material	Hard Glass
Luminous Flux	35,400 lm	Bulb Shape	T46	Net Weight (Piece)	166.000 g
Color Designation	Cool White (CW)				
Chromaticity Coordinate X (Nom)	0.371				
Chromaticity Coordinate Y (Nom)	0.366				
Correlated Color Temperature (Nom)	4200 K				
Luminous Efficacy (rated) (Nom)	98.06 lm/W				
Color rendering index (CRI)	88				

# MASTERCoulour CDM MW Eco

## Approval and Application

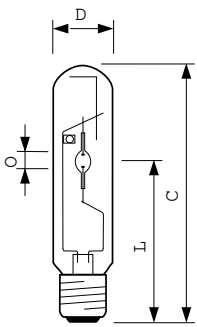
Energy Efficiency Class	F
Mercury (Hg) Content (Max)	48 mg
Mercury (Hg) Content (Nom)	48.0 mg
Energy Consumption kWh/1000 h	361 kWh
EPREL Registration Number	2070942
CE mark	Yes

## Product Data

Order product name	MASTERCoulour CDM-T MW eco 360W/842 E40
--------------------	---

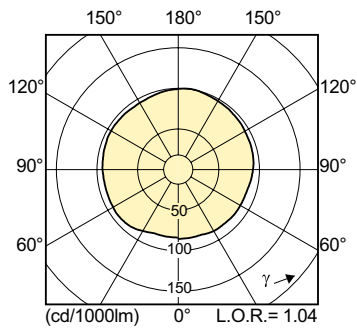
Full product name	MASTERCoulour CDM-T MW eco 360W/842 E40
Full product code	871869664610600
Order code	928070319230
Material Nr. (12NC)	928070319230
Numerator - Quantity Per Pack	1
EAN/UPC - Product/Case	8718696646106
Numerator - Packs per outer box	12
EAN/UPC - Case	8718696646113

## Dimensional drawing

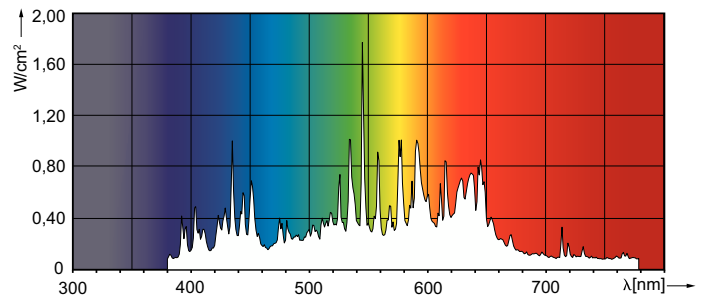


Product	D	O	L	C (max)
MASTERCoulour CDM-T MW eco 360W/842 E40	47 mm	11.9 mm	161 mm	257 mm

## Photometric data



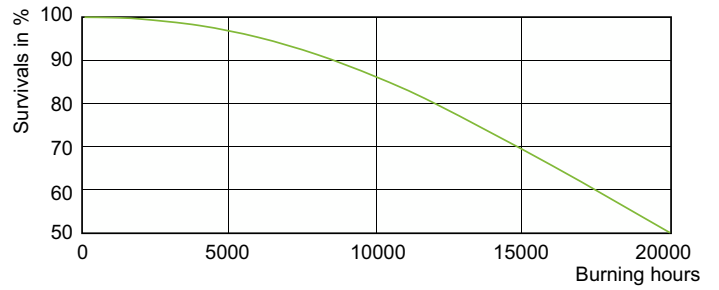
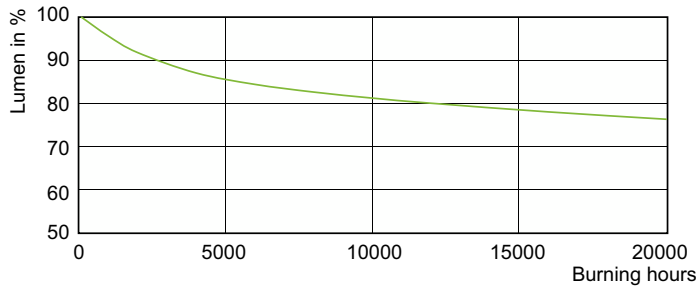
Light Distribution Diagram - MASTERColour CDM-T MW eco 360W/842 E40



Spectral Power Distribution Colour - MASTERColour CDM-T MW eco 360W/842 E40

# MASTERColour CDM MW Eco

## Lifetime



Lumen Maintenance Diagram - MASTERColour CDM-T MW eco 360W/842 E40

MASTERColour CDM MW eco /842

