



# MASTERColour CDM MW Eco



## MASTERColour CDM-T MW eco 230W/842 E40

Ceramic metal halide lamps with clear tubular or coated ellipsoid outer bulb, tailor-made to replace and outperform quartz metal halide lamps on existing gear.

### Warnings and Safety

- For use with control gear designed for high pressure mercury or high-pressure sodium lamps with external ignitor
- A lamp breaking is extremely unlikely to have an impact on your health. If a lamp breaks, ventilate the room for 30 minutes and remove the parts, preferably with gloves. Put them in a sealed plastic bag and take it to your local waste facilities for recycling. Do not use a vacuum cleaner.
- Warm restart time can be up to 15 minutes; T15 ignitors therefore advised.

### Product data

| General Information                |                                  | Operating and Electrical |            |
|------------------------------------|----------------------------------|--------------------------|------------|
| Cap-Base                           | E40                              | Arc Length O (Nom)       | 12.4 mm    |
| Operating Position                 | UNIVERSAL [Any or Universal (U)] | Power Consumption        | 227.0 W    |
| Flux measurement reference         | Sphere                           | Voltage (Nom)            | 127 V      |
| Life to 50% Failures (Nom)         | 30,000 hour(s)                   | Controls and Dimming     |            |
| Light Technical                    |                                  | Dimmable                 | No         |
| Color Code                         | 842 [CCT of 4200K]               | Mechanical and Housing   |            |
| Luminous Flux                      | 21,400 lm                        | Bulb Finish              | Clear      |
| Color Designation                  | Cool White (CW)                  | Bulb Material            | Hard Glass |
| Chromaticity Coordinate X (Nom)    | 0.371                            | Bulb Shape               | T46        |
| Chromaticity Coordinate Y (Nom)    | 0.366                            | Net Weight (Piece)       | 166.000 g  |
| Correlated Color Temperature (Nom) | 4200 K                           |                          |            |
| Luminous Efficacy (rated) (Nom)    | 94 lm/W                          |                          |            |
| Color rendering index (CRI)        | 88                               |                          |            |

# MASTERCoulour CDM MW Eco

## Approval and Application

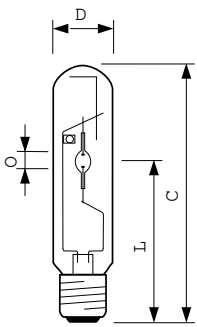
|                               |         |
|-------------------------------|---------|
| Energy Efficiency Class       | F       |
| Mercury (Hg) Content (Max)    | 32 mg   |
| Mercury (Hg) Content (Nom)    | 32.0 mg |
| Energy Consumption kWh/1000 h | 227 kWh |
| EPREL Registration Number     | 473314  |
| CE mark                       | Yes     |

## Product Data

|                    |   |
|--------------------|---|
| Order product name | MASTERCoulour CDM-T MW eco 230W/842 E40 |
|--------------------|---|

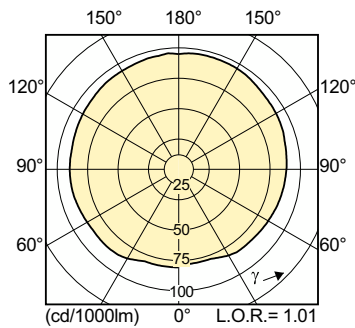
|                                 |   |
|---------------------------------|---|
| Full product name               | MASTERCoulour CDM-T MW eco 230W/842 E40 |
| Full product code               | 871869659681400                         |
| Order code                      | 928070119230                            |
| Material Nr. (12NC)             | 928070119230                            |
| Numerator - Quantity Per Pack   | 1                                       |
| EAN/UPC - Product/Case          | 8718696596814                           |
| Numerator - Packs per outer box | 12                                      |
| EAN/UPC - Case                  | 8718696596821                           |

## Dimensional drawing

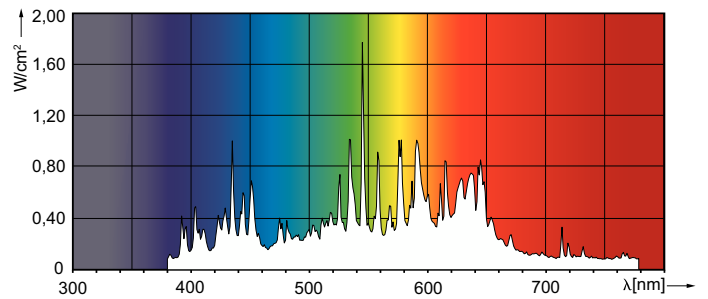


| Product                                 | D (max) | O       | L      | C (max) |
|---|---------|---------|--------|---------|
| MASTERCoulour CDM-T MW eco 230W/842 E40 | 47 mm   | 12.4 mm | 157 mm | 257 mm  |

## Photometric data



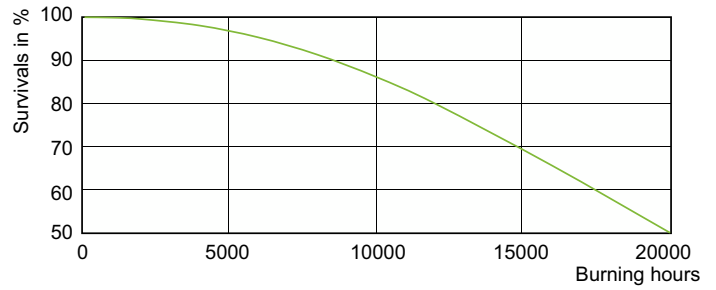
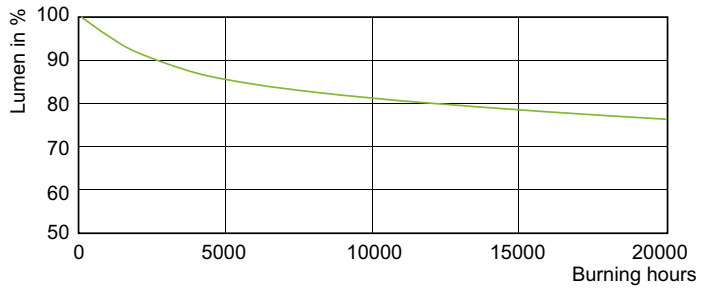
Light Distribution Diagram - MASTERColour CDM-T MW eco 230W/842 E40



Spectral Power Distribution Colour - MASTERColour CDM-T MW eco 230W/842 E40

# MASTERColour CDM MW Eco

## Lifetime



Lumen Maintenance Diagram - MASTERColour CDM-T MW eco 230W/842 E40

MASTERColour CDM MW eco /842

