

TUV T5

TUV 64T5 HE SP UNP/32

TUV T5 lamps are single- or double-ended UVC (germicidal) lamps used in professional water and air disinfection units. The small 16 mm diameter of the lamp allows for a small system design and design flexibility. TUV T5 lamps offer constant UV output over their complete lifetime, for maximum security of disinfection and high system efficacy.

Warnings and Safety

- A lamp breaking is extremely unlikely to have any impact on your health. If a lamp breaks, ventilate the room for 30 minutes and remove the parts, preferably with gloves. Put them in a sealed plastic bag and take it to your local waste facilities for recycling. Do not use a vacuum cleaner.
- DANGER: Risk Group 3 Ultra Violet product. These lamps emit high-power UV radiation that can cause severe injury to skin and eyes. Avoid eye and skin exposure to unshielded product. Use only in an enclosed environment which shields users from the radiation.

Product data

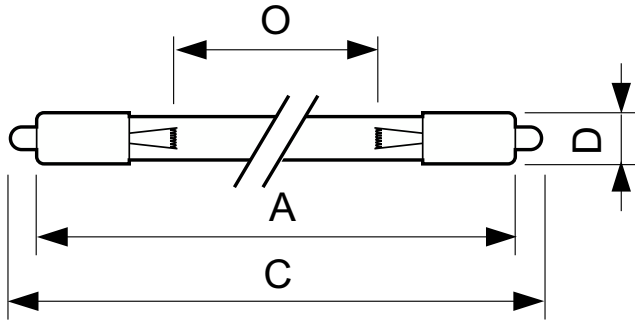
General Information		Mechanical and Housing	
Cap-Base	Single Pin	Net Weight (Piece)	156.000 g
Useful Life (Nom)	9,000 hour(s)		
Light Technical		Approval and Application	
Depreciation at Useful Lifetime	20 %	Mercury (Hg) Content (Nom)	3.0 mg
Arc Length O (Nom)	1,473 mm	CE mark	Yes
Operating and Electrical		UV	
Power Consumption	75 W	UV-C Radiation at 100 hr	32.7 W
Lamp Current (Nom)	0.425 A		
Voltage (Nom)	178 V	Product Data	
		Order product name	TUV 64T5 HE SP UNP/32
		Full product name	TUV 64T5 HE SP UNP/32
		Full product code	871150064079699

TUV T5

Order code	927970504099
Material Nr. (12NC)	927970504099
Numerator - Quantity Per Pack	1
EAN/UPC - Product/Case	8711500640796

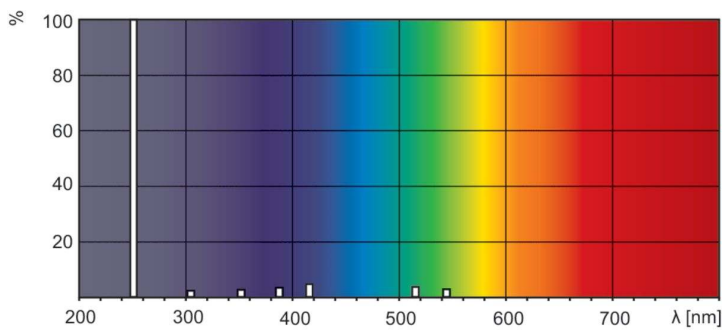
Numerator - Packs per outer box	32
EAN/UPC - Case	8711500640802

Dimensional drawing



Product	D (max)	O	C (max)	A (max)
TUV 64T5 HE SP UNP/32	18.6 mm	1,473 mm	1,575.1 mm	1,556.6 mm

Photometric data



Spectral Power Distribution Colour - TUV 64T5 HE SP UNP/32

