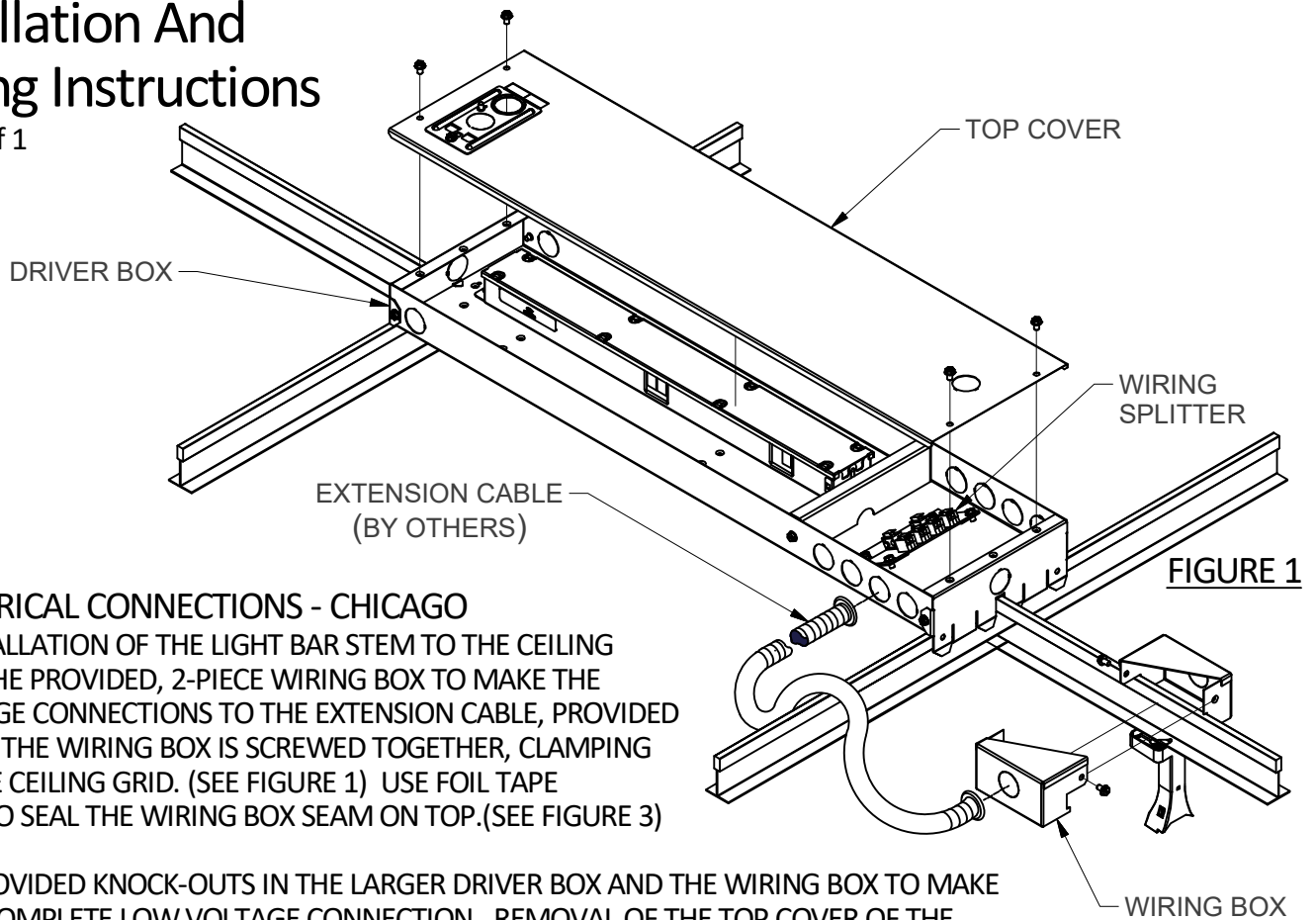


# INSTALLATION INSTRUCTIONS

## SlimLux - Chicago Installation And Wiring Instructions

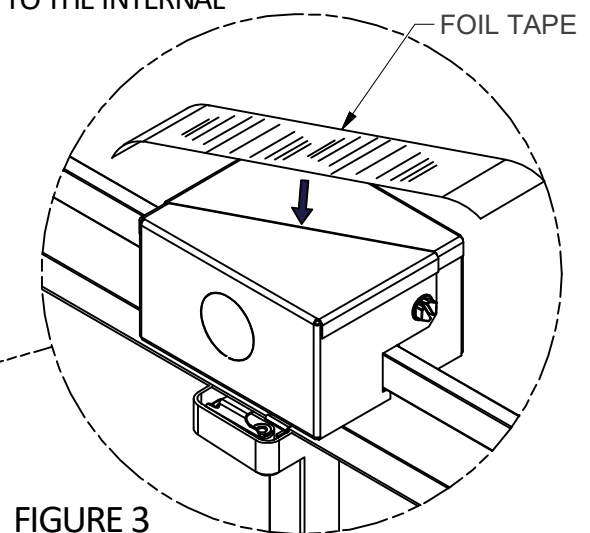
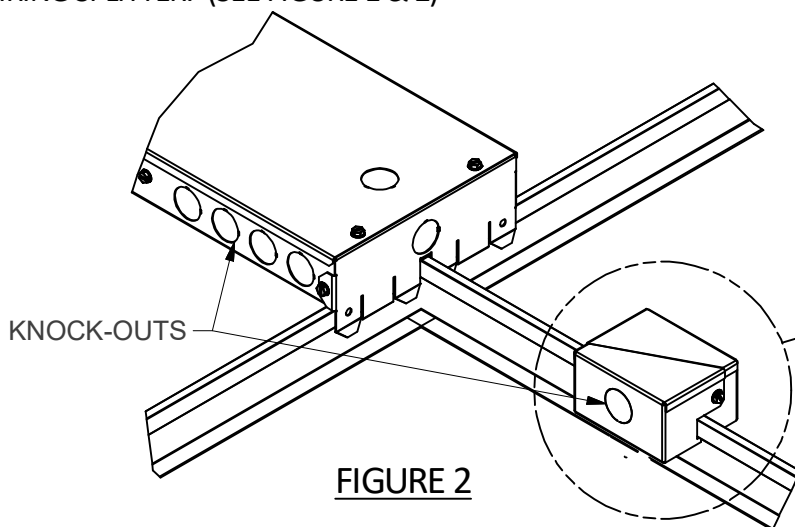
Page 1 of 1

**CAUTION:** THE INSTALLATION AND SERVICING OF THIS PRODUCT SHOULD BE PERFORMED BY A QUALIFIED ELECTRICIAN OR SERVICE PERSONNEL



### ELECTRICAL CONNECTIONS - CHICAGO

- 1) AFTER INSTALLATION OF THE LIGHT BAR STEM TO THE CEILING GRID, USE THE PROVIDED, 2-PIECE WIRING BOX TO MAKE THE LOW VOLTAGE CONNECTIONS TO THE EXTENSION CABLE, PROVIDED BY OTHERS. THE WIRING BOX IS SCREWED TOGETHER, CLAMPING IT ONTO THE CEILING GRID. (SEE FIGURE 1) USE FOIL TAPE PROVIDED TO SEAL THE WIRING BOX SEAM ON TOP. (SEE FIGURE 3)
- 2) USE THE PROVIDED KNOCK-OUTS IN THE LARGER DRIVER BOX AND THE WIRING BOX TO MAKE THE COMPLETE LOW VOLTAGE CONNECTION. REMOVAL OF THE TOP COVER OF THE DRIVER BOX WILL BE REQUIRED TO CONNECT THE LOW VOLTAGE WIRES TO THE INTERNAL WIRING SPLITTER. (SEE FIGURE 1 & 2)



**CAUTION:** This fixture is designed for permanent installation in ordinary (Non-Hazardous) locations in accordance with the National Electrical Code and all applicable local codes. Do not use in areas of limited ventilation or in high ambient enclosures. The lamp and fixture operate at high temperatures. Contact with combustible materials can cause fire and personal contact can cause severe burns.

**Day-Brite**

**CFI**  
by **ignify**

Signify North America Corporation  
200 Franklin Square Drive  
Somerset, NJ 08873  
Phone: 855-486-2216

Signify Canada Ltd. / Signify Canada Ltée  
281 Hillmount Road  
Markham ON, Canada L6C 2S3  
Phone: 800-668-9008

12NC: 442294537081  
DB101760 12/7/2018  
(ENGLISH)