



Essential MV MR16 Alu

ESS MR16 ESS 35W GU10 240V 50D 4CT/5

The Essential MV MR16 Alu is part of the Philips "Value for Money" ranges. It is ideal for professional end-users looking for accent light - without a transformer - to create contrast in shops, hotels and restaurants.

Product data

General Information	
Cap-Base	GU10
Operating Position	UNIVERSAL [Any or Universal (U)]
Nominal lifetime	2,000 hour(s)
Rated Lifetime (Hours)	2,000 hour(s)
Lighting Technology	Halogen

Light Technical	
Beam Angle (Nom)	50 degree(s)
Correlated Color Temperature (Nom)	2700 K
Color rendering index (CRI)	100

Operating and Electrical	
Power Consumption	35 W
Starting Time (Nom)	0.0 s
Voltage (Nom)	240 V

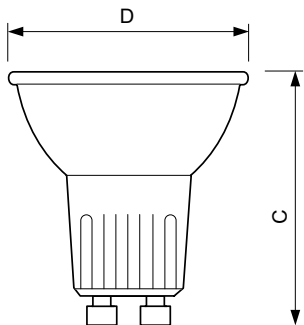
Controls and Dimming	
Dimmable	Yes

Mechanical and Housing	
Bulb Finish	Clear
Bulb Shape	MR16
Net Weight (Piece)	0.046 kg

Product Data	
Order product name	ESS MR16 ESS 35W GU10 240V 50D 4CT/5
Full product name	ESS MR16 ESS 35W GU10 240V 50D 4CT/5
Full product code	871829166164100
Order code	925712945502
Material Nr. (12NC)	925712945502
Numerator - Quantity Per Pack	4
EAN/UPC - Product/Case	8718291661641
Numerator - Packs per outer box	5
EAN/UPC - Case	8718291661658

Essential MV MR16 Alu

Dimensional drawing



Product	D (max)	C (max)
ESS MR16 ESS 35W GU10 240V 50D 4CT/5	50.7 mm	46 mm

