



PAR38

PAR38 120W E27/51 220-240V PAR38 12D 1CT

Pressed-glass 121 mm diameter reflector lamps of high luminous intensity

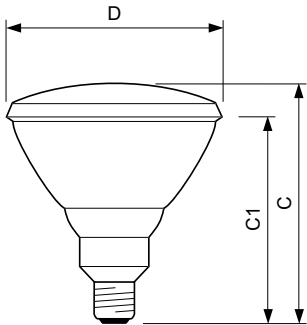
Product data

General Information	
Cap-Base	E27/51
Operating Position	UNIVERSAL [Any or Universal (U)]
Nominal lifetime	2,000 hour(s)
Rated Lifetime (Hours)	2,000 hour(s)
Lighting Technology	Incandescent
Light Technical	
Beam Angle (Nom)	12 degree(s)
Luminous Flux	1,150 lm
Color rendering index (CRI)	100
Operating and Electrical	
Power Consumption	120 W
Starting Time (Nom)	0.0 s
Voltage (Nom)	220-240 V

Mechanical and Housing	
Bulb Shape	PAR38
Net Weight (Piece)	308.000 g
Product Data	
Order product name	PAR38 120W E27/51 220-240V PAR38 12D 1CT
Full product name	PAR38 120W E27/51 220-240V PAR38 12D 1CT
Full product code	871016317088601
Order code	923815343301
Material Nr. (12NC)	923815343301
Numerator - Quantity Per Pack	1
EAN/UPC - Product/Case	8710163170886
Numerator - Packs per outer box	12
EAN/UPC - Case	8718291115816

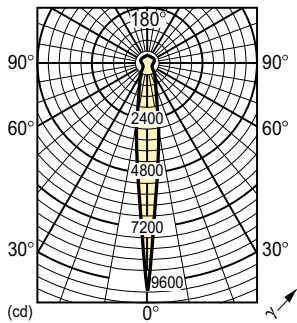
PAR38

Dimensional drawing



Product	D	C (max)	C1
PAR38 120W E27/51 220-240V PAR38 12D 1CT	121 mm	137 mm	123 mm

Photometric data



Light Distribution Diagram - PAR38 120W E27/51 220-240V PAR38 12D 1CT

