



PAR38

PAR38 80W E27 230V PAR38 FL 30D 1CT/12

Pressed-glass 121 mm diameter reflector lamps of high luminous intensity

Product data

General Information	
Cap-Base	E27
Operating Position	UNIVERSAL [Any or Universal (U)]
Nominal lifetime	2,000 hour(s)
Switching Cycle	8,000
Rated Lifetime (Hours)	2,000 hour(s)
Lighting Technology	Incandescent

Light Technical	
Beam Angle (Nom)	30 degree(s)
Correlated Color Temperature (Nom)	2700 K
Color rendering index (CRI)	100
Luminous Flux in 90° Cone (Rated)	670 lm

Operating and Electrical	
Power Consumption	80.0 W
Starting Time (Nom)	0.0 s
Warm-up time to 60% light	instant full light s
Power Factor (Fraction)	1
Voltage (Nom)	230 V

Controls and Dimming	
Dimmable	Yes

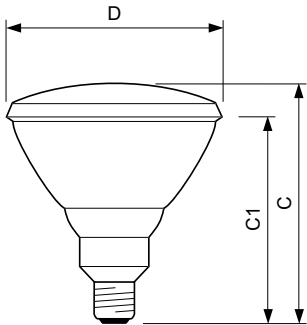
Mechanical and Housing	
Bulb Shape	PAR38
Net Weight (Piece)	319.000 g

Approval and Application	
Energy Consumption kWh/1000 h	80 kWh

Product Data	
Order product name	PAR38 80W E27 230V PAR38 FL 30D 1CT/12
Full product name	PAR38 80W E27 230V PAR38 FL 30D 1CT/12
Full product code	871150090003601
Order code	923810544296
Material Nr. (12NC)	923810544296
Numerator - Quantity Per Pack	1
EAN/UPC - Product/Case	8711500900036
Numerator - Packs per outer box	12
EAN/UPC - Case	8718291115762

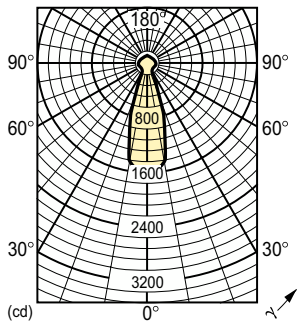
PAR38

Dimensional drawing



Product	D (max)	C (max)
PAR38 80W E27 230V PAR38 FL 30D 1CT/12	123 mm	137 mm

Photometric data



Light Distribution Diagram - PAR38 80W E27 230V PAR38 FL 30D 1CT/12

