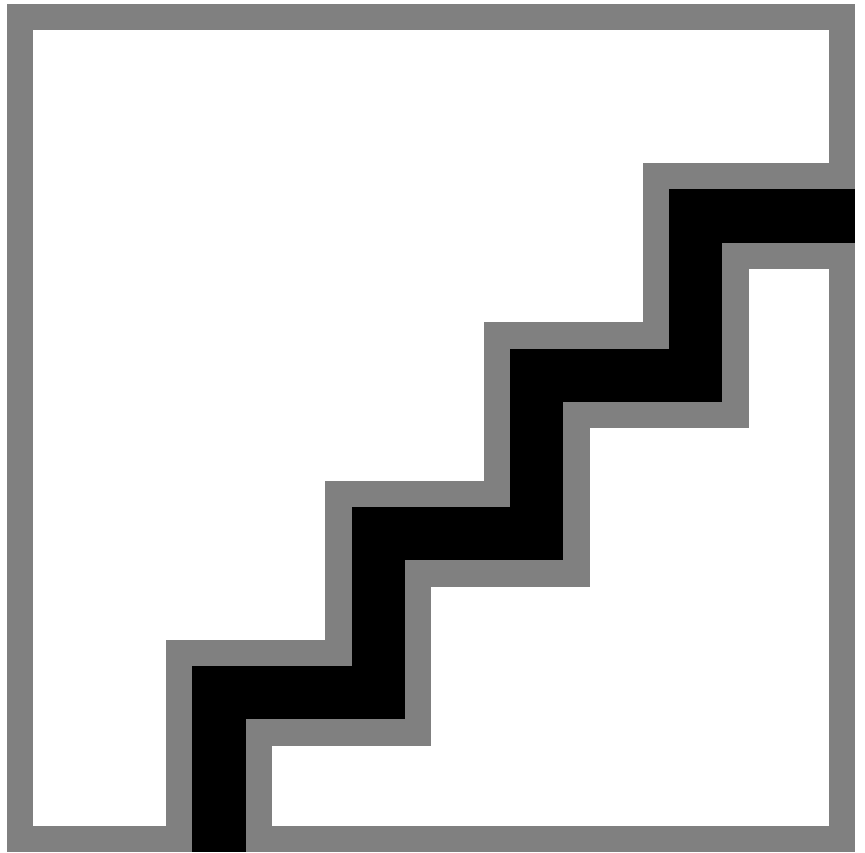




BRS563LED120/740II  
DM31GR  
CLOSRTBC13K60S

919008636280



## Copenhagen LED gen2 large & mega, Urban road & street light, 68 W, 11531 lm, 4000 K, CRI70, GPRS network, Distribution medium 31, Safety class II, IP66, SRG6-10

The original Copenhagen luminaire was co-designed with Copenhagen's Office of City Architecture in the 1960s with the aim of enhancing the aesthetic appeal of the city through lighting. This timeless luminaire design comes in two types: Copenhagen City LED Gen2 is for city and residential areas where light comfort is important; Copenhagen LED Gen2 delivers high performance for road lighting applications. The second generation of Copenhagen LED is available in a range of sizes, from mini to mega. This makes it suitable for any type of application while ensuring the dimensions of the luminaire and pole are well balanced, so every installation blends harmoniously into its surroundings. Various suspensions are available, allowing a variety of mounting

options to provide maximum freedom during installation. Thanks to the built in LEDGINE-O engine, and the wide range of application-tailored optics, Copenhagen LED luminaires deliver the right amount of light and in the right direction on your street, enabling important energy savings. The luminaire is available with one or two Zhaga-D4i (ZD4i) System Ready (SR) sockets, which makes the luminaire future ready. This means Copenhagen LED Gen2 is ready to pair with advanced control and lighting software applications such as Interact, or sensors such as the Outdoor Sensor Bundle (OSB). And because the top SR socket is integrated into the canopy, it has no impact on the beautiful, clean design of the luminaire. Furthermore, every Copenhagen LED Gen2 BPS559, BRS561, BRS562 and BRS563 luminaire is uniquely identifiable, thanks to the Signify Service tag app. By simply scanning a QR code, placed inside the door of the mast or directly on the luminaire, you can instantly access the configuration of the luminaire. This makes maintenance and programming operations faster and easier and enables you to create a digital library of lighting assets and spare parts.

## General Information

Lamp family code	120S [LED module, system flux 12000 lm]
Light source replaceable	Yes
Number of gear units	1 unit
Driver included	Yes
Light source engine type	LED
Service tag	Yes
Lighting Technology	LED
Value ladder	Specification
Warranty period	5 years

## Light Technical

Upward light output ratio	0
Luminous Flux	11,531 lm
Correlated Color Temperature (Nom)	4000 K
Luminous Efficacy (rated) (Nom)	149 lm/W
Color rendering index (CRI)	70
Light source color	740 neutral white
Luminaire light beam spread	-
Optic type outdoor	Distribution medium 31
Effective projected area	0.18 m <sup>2</sup>

## Operating and Electrical

Input Voltage	220 to 240 V
Line Frequency	50 to 60 Hz
Initial CLO power consumption	68 W
Average CLO power consumption	68 W
End CLO power consumption	69 W
Inrush current	11.2 A

Inrush time	0.135 ms
Power Consumption	68 W
Power Factor (Fraction)	0.94
Connection	Flying leads/wires
Cable	Cable 13 m without plug
Number of products on MCB of 16 A type B	15
Protection class IEC	Safety class II
Surge Protection (Common/Differential)	Surge protection level until 6 kV differential mode and 10 kV common mode

## Controls and Dimming

Dimmable	Yes
Driver/power unit/transformer	Sensor ready driver Interact System ready
Control interface	GPRS network
Constant light output	Yes
DALI Standard	DALI-2™
Maximum dim level	10%
Embedded control	Constant light output

## Mechanical and Housing

Housing Material	Polyethylene
Reflector material	-
Optic material	Polymethyl methacrylate
Optical cover material	Glass
Fixation material	Aluminum
Housing Color	Gray
Mounting device	Side-entry for diameter 60 mm
Optical cover shape	Flat
Optical cover finish	Clear
Overall length	560 mm
Overall width	560 mm
Overall height	462 mm
Overall diameter	560 mm
Dimensions (Height x Width x Depth)	462 x 560 x 560 mm
Ingress protection code	IP66 [Dust penetration-protected, jet-proof]
Mech. impact protection code	IK08 [5 J vandal-protected]

Standard tilt angle posttop	0°
Standard tilt angle side entry	0°
Optical cover type	Flat glass
Net Weight (Piece)	13.500 kg

## Approval and Application

Flammability mark	-
CE mark	Yes
ENEC mark	ENEC mark
EU RoHS compliant	Yes
Performance ambient temperature Tq	25 °C
Ambient temperature range	-40 to +25 °C

## Initial Performance (IEC Compliant)

Luminous flux tolerance	+/-10%
Initial chromaticity	(0.3818, 0.3796) SDCM <5
Power consumption tolerance	+/-10%
Init. Color Rendering Index Tolerance	-2
Standard Deviation of Colour Matching (McAdam ellipse)	SDCM≤5

## Over Time Performance (IEC Compliant)

Control gear failure rate at median useful life 100000 h	10 %
Lumen maintenance (EN-IEC 62722-2-1) at median useful life* 100000 h	L100

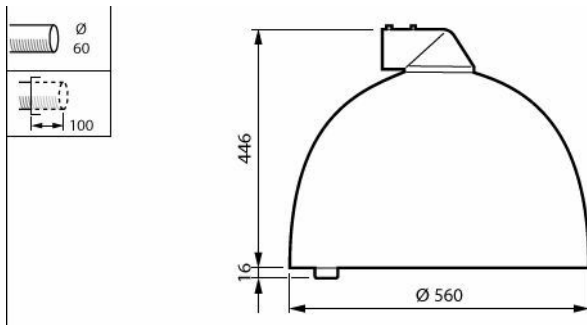
## Sustainability Data

Sustainability rating	Signify Circle
Repair class	Repair Class B, the driver and light source of this luminaire can be replaced by a service technician. Parts and documentation are available for an extended period of time.
Embedded carbon (A1-A3)	97.8 kg CO <sub>2</sub> e
Product non-virgin material ratio	15.7 %
Recyclable content ratio of the finished product	36.8 %
GWP total B6 (kg CO <sub>2</sub> eq) Declared Unit	Please calculate using your local energy mix value: Power Declared Unit (kW) * Service life (hrs) Declared Unit * Energy mix (kg CO <sub>2</sub> eq / kwh)
GWP total B6 (kg CO <sub>2</sub> eq) Functional Unit	Please calculate using your local energy mix value: Power Declared Unit (kW) * 1000 (lm) / lumen output (lm) Declared Unit * 35000 (hrs) * Energy mix (kg CO <sub>2</sub> eq / kwh)

## Product Data

Order product name	BRS563LED120/740II DM31GR CLOSRTBC13K60S
Full product name	BRS563LED120/740II DM31GR CLOSRTBC13K60S
Full product code	871951485048400
Order code	919008636280
Material Nr. (12NC)	919008636280
Numerator - Quantity Per Pack	1
EAN/UPC - Product/Case	8719514850484
Numerator - Packs per outer box	1
EAN/UPC - Case	8719514850484
Product family code	BRS563 [COPENHAGEN GEN2 LED MEGA]

## Dimensional drawing



## Polar normal diagrams

