



# Copenhagen City LED gen2 small

## BDS761 LED50/830 II MDM GW SRTB C10K

Copenhagen City LED gen2 small, Urban road & street light, 37.5 W, 4968 lm, 3000 K, CRI80, GPRS network, Metronomis distribution medium, Safety class II, IP66, SRG6-10

The original Copenhagen luminaire was co-designed with Copenhagen's Office of City Architecture in the 1960s with the aim of enhancing the aesthetic appeal of the city through lighting. This timeless luminaire design comes in two types: Copenhagen City LED Gen2 is for city and residential areas where light comfort is important; Copenhagen LED Gen2 delivers high performance for road lighting applications. The second generation of Copenhagen City LED offers a very comfortable light distribution with minimum glare, enabled by a round LED engine, which follows the shape of the luminaire. The opal canopy option provides even more ways to enhance the impact of lighting. It is also perfect for city branding as it can be used to create both static and dynamic uplight with any color of light. The luminaire comes with a variety of suspensions and optics, offering maximum freedom in lighting design for downtown and residential areas. A variety of dedicated brackets are also available to enable you to create a consistent lighting design across multiple applications. It is also available with one or two Zhaga-D4i (ZD4i) System Ready (SR) sockets, which makes the luminaire future ready. This means Copenhagen City LED Gen2 is ready to pair with advanced control and lighting software applications such as Interact, or sensors such as the Outdoor Sensor Bundle (OSB). And because the top SR socket is integrated into the canopy, it has no impact on the beautiful, clean design of the luminaire. Furthermore, every Copenhagen City LED Gen2 BRS761, BRS762 and BRS763 luminaire is uniquely identifiable, thanks to the Signify Service tag app. By simply scanning a QR code, placed inside the door of the mast or directly on the luminaire, you can instantly access the configuration of the luminaire. This makes maintenance and programming operations faster and easier and enables you to create a digital library of lighting assets and spare parts.

# Copenhagen City LED gen2 small

## Product data

General Information	
Lamp family code	50S [LED module, system flux 5000 lm]
Light source replaceable	Yes
Number of gear units	1 unit
Driver included	Yes
Light source engine type	LED
Service tag	Yes
Lighting Technology	LED
Value ladder	Specification
Warranty period	5 years
Light Technical	
Upward light output ratio	0
Luminous Flux	4,968 lm
Correlated Color Temperature (Nom)	3000 K
Luminous Efficacy (rated) (Nom)	112 lm/W
Color rendering index (CRI)	80
Light source color	830 warm white
Luminaire light beam spread	-
Optic type outdoor	Metronomis distribution medium
Effective projected area	0.08 m <sup>2</sup>
Operating and Electrical	
Input Voltage	220 to 240 V
Line Frequency	50 to 60 Hz
Average CLO power consumption	38 W
Inrush current	4 A
Inrush time	2.7 ms
Power Consumption	37.5 W
Power Factor (Fraction)	0.94
Connection	Flying leads/wires
Cable	Cable 10 m without plug
Number of products on MCB of 16 A type B	23
Protection class IEC	Safety class II
Surge Protection (Common/Differential)	Surge protection level until 6 kV differential mode and 10 kV common mode
Controls and Dimming	
Dimmable	Yes
Driver/power unit/transformer	Sensor ready driver Interact System ready
Control interface	GPRS network
Constant light output	No
DALI Standard	DALI-2™
Maximum dim level	10%
Mechanical and Housing	
Housing Material	Polyethylene

Reflector material	-
Optic material	Polymethyl methacrylate
Optical cover material	Glass
Fixation material	Aluminum
Housing Color	White
Mounting device	Suspension set simple, standard
Optical cover shape	Flat
Optical cover finish	Clear
Overall length	380 mm
Overall width	380 mm
Overall height	316 mm
Overall diameter	380 mm
Dimensions (Height x Width x Depth)	316 x 380 x 380 mm
Ingress protection code	IP66 [Dust penetration-protected, jet-proof]
Mech. impact protection code	IK08 [5 J vandal-protected]
Standard tilt angle posttop	0°
Standard tilt angle side entry	0°
Optical cover type	Flat glass
Net Weight (Piece)	5.400 kg

## Approval and Application

Flammability mark	-
CE mark	Yes
ENEC mark	ENEC mark
EU RoHS compliant	Yes
Performance ambient temperature Tq	25 °C
Ambient temperature range	-40 to +25 °C

## Initial Performance (IEC Compliant)

Luminous flux tolerance	+/-10%
Initial chromaticity	(0.4339, 0.4032) SDCM <5
Power consumption tolerance	+/-10%
Init. Color Rendering Index Tolerance	-2
Standard Deviation of Colour Matching (McAdam ellipse)	SDCM≤5

## Over Time Performance (IEC Compliant)

Control gear failure rate at median useful life 100000 h	10 %
Lumen maintenance (EN-IEC 62722-2-1) at median useful life* 50000 h	-
Lumen maintenance (EN-IEC 62722-2-1) at median useful life* 100000 h	L97

## Sustainability Data

Sustainability rating	Signify Circle
Repair class	Repair Class B, the driver and light source of this luminaire can be replaced by a service

# Copenhagen City LED gen2 small

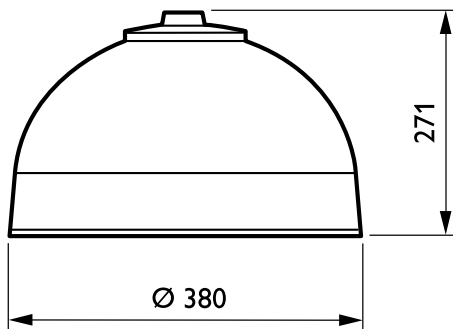
	technician. Parts and documentation are available for an extended period of time.
<b>Embedded carbon (A1-A3)</b>	66.2 kg CO <sub>2</sub> e
<b>Product non-virgin material ratio</b>	12.8 %
<b>Recyclable content ratio of the finished product</b>	42 %
<b>GWP total B6 (kg CO<sub>2</sub>eq) Declared Unit</b>	Please calculate using your local energy mix value: Power Declared Unit (kW) * Service life (hrs) Declared Unit * Energy mix (kg CO <sub>2</sub> eq / kWh)
<b>GWP total B6 (kg CO<sub>2</sub>eq) Functional Unit</b>	Please calculate using your local energy mix value: Power Declared Unit (kW) * 1000 (lm) /

	lumen output (lm) Declared Unit * 35000 (hrs) * Energy mix (kg CO <sub>2</sub> eq / kWh)
--	--

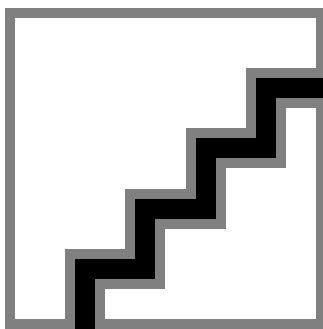
## Product Data

<b>Order product name</b>	BDS761 LED50/830 II MDM GW SRTB C10K
<b>Full product name</b>	BDS761 LED50/830 II MDM GW SRTB C10K
<b>Full product code</b>	871951485044600
<b>Order code</b>	919008636276
<b>Material Nr. (12NC)</b>	919008636276
<b>Numerator - Quantity Per Pack</b>	1
<b>EAN/UPC - Product/Case</b>	8719514850446
<b>Numerator - Packs per outer box</b>	1
<b>EAN/UPC - Case</b>	8719514850446
<b>Product family code</b>	BDS761 [Copenhagen City gen2 LED Small]

## Dimensional drawing



## Photometric data



Polar Normal (separate) - null - 919008636276

## Copenhagen City LED gen2 small

