



Copenhagen LED gen2 large & mega

BSS563LED230/830II GL-DM50 CLOLS850 SRTB

Copenhagen LED gen2 large & mega, Urban road & street light,
164 W, 21174 lm, 3000 K, CRI80, GPRS network, Distribution
medium 50, Safety class II, IP66, SRG6-6

The original Copenhagen luminaire was co-designed with Copenhagen's Office of City Architecture in the 1960s with the aim of enhancing the aesthetic appeal of the city through lighting. This timeless luminaire design comes in two types: Copenhagen City LED Gen2 is for city and residential areas where light comfort is important; Copenhagen LED Gen2 delivers high performance for road lighting applications. The second generation of Copenhagen LED is available in a range of sizes, from mini to mega. This makes it suitable for any type of application while ensuring the dimensions of the luminaire and pole are well balanced, so every installation blends harmoniously into its surroundings. Various suspensions are available, allowing a variety of mounting options to provide maximum freedom during installation. Thanks to the built in LEDGINE-O engine, and the wide range of application-tailored optics, Copenhagen LED luminaires deliver the right amount of light and in the right direction on your street, enabling important energy savings. The luminaire is available with one or two Zhaga-D4i (ZD4i) System Ready (SR) sockets, which makes the luminaire future ready. This means Copenhagen LED Gen2 is ready to pair with advanced control and lighting software applications such as Interact, or sensors such as the Outdoor Sensor Bundle (OSB). And because the top SR socket is integrated into the canopy, it has no impact on the beautiful, clean design of the luminaire. Furthermore, every Copenhagen LED Gen2 BPS559, BRS561, BRS562 and BRS563 luminaire is uniquely identifiable, thanks to the Signify Service tag app. By simply scanning a QR code, placed inside the door of the mast or directly on the luminaire, you can instantly access the configuration of the luminaire. This makes maintenance and programming operations faster and easier and enables you to create a digital library of lighting assets and spare parts.

Copenhagen LED gen2 large & mega

Product data

General Information		Embedded control	Constant light output
Lamp family code	LED230 [LED module 23000 lm]		
Light source replaceable	Yes		
Number of gear units	1 unit		
Driver included	Yes		
Light source engine type	LED		
Service tag	Yes		
Lighting Technology	LED		
Value ladder	Specification		
Warranty period	5 years		
Light Technical		Mechanical and Housing	
Upward light output ratio	0	Housing Material	Polyethylene
Luminous Flux	21,174 lm	Reflector material	-
Correlated Color Temperature (Nom)	3000 K	Optic material	Polymethyl methacrylate
Luminous Efficacy (rated) (Nom)	115 lm/W	Optical cover material	Glass
Color rendering index (CRI)	80	Fixation material	Aluminum
Light source color	830 warm white	Housing Color	White
Luminaire light beam spread	-	Mounting device	Suspension set simple, standard
Optic type outdoor	Distribution medium 50	Optical cover shape	Flat
Effective projected area	0.2 m ²	Optical cover finish	Clear
Operating and Electrical		Overall length	560 mm
Input Voltage	220/240 V	Overall width	560 mm
Line Frequency	50 to 60 Hz	Overall height	413 mm
Initial CLO power consumption	164 W	Overall diameter	560 mm
Average CLO power consumption	166 W	Dimensions (Height x Width x Depth)	413 x 560 x 560 mm
End CLO power consumption	168 W	Ingress protection code	IP66 [Dust penetration-protected, jet-proof]
Inrush current	11.2 A	Mech. impact protection code	IK08 [5 J vandal-protected]
Inrush time	0.135 ms	Standard tilt angle posttop	0°
Power Consumption	164 W	Standard tilt angle side entry	0°
Power Factor (Fraction)	0.96	Optical cover type	Flat glass
Connection	-	Net Weight (Piece)	13.500 kg
Cable	Cable 10 m without plug	Approval and Application	
Number of products on MCB of 16 A type B	15	Flammability mark	-
Protection class IEC	Safety class II	CE mark	Yes
Surge Protection (Common/Differential)	Surge protection level until 6 kV differential mode and 6 kV common mode	ENEC mark	ENEC mark
		EU RoHS compliant	Yes
		Performance ambient temperature Tq	25 °C
		Remarks	* At extreme ambient temperatures the luminaire might automatically dim down to protect components
		Ambient temperature range	-40 to +25 °C
Controls and Dimming		Initial Performance (IEC Compliant)	
Dimmable	Yes	Luminous flux tolerance	+/-7%
Driver/power unit/transformer	Power supply unit with DALI and SystemReady interface and constant light output (integrated)	Initial chromaticity	(0.4339, 0.4032) SDCM <5
Control interface	GPRS network	Power consumption tolerance	+/-10%
Constant light output	Yes	Init. Color Rendering Index Tolerance	+/-2
DALI Standard	DALI-2™	Standard Deviation of Colour Matching (McAdam ellipse)	SDCM≤5
		Over Time Performance (IEC Compliant)	
		Driver failure rate at 5000 h	0.01 %
		Control gear failure rate at median useful life 100000 h	10 %

Copenhagen LED gen2 large & mega

Lumen maintenance (EN-IEC 62722-2-1) at L100

median useful life* 50000 h

Lumen maintenance (EN-IEC 62722-2-1) at L100

median useful life* 100000 h

Sustainability Data

Sustainability rating	Signify Circle
Repair class	Repair Class B, the driver and light source of this luminaire can be replaced by a service technician. Parts and documentation are available for an extended period of time.
Embedded carbon (A1-A3)	97.8 kg CO ₂ e
Product non-virgin material ratio	15.7 %
Recyclable content ratio of the finished product	36.8 %
GWP total B6 (kg CO₂eq) Declared Unit	Please calculate using your local energy mix value: Power Declared Unit (kW) * Service life (hrs) Declared Unit * Energy mix (kg CO ₂ eq / kwh)
GWP total B6 (kg CO₂eq) Functional Unit	Please calculate using your local energy mix value: Power Declared Unit (kW) * 1000

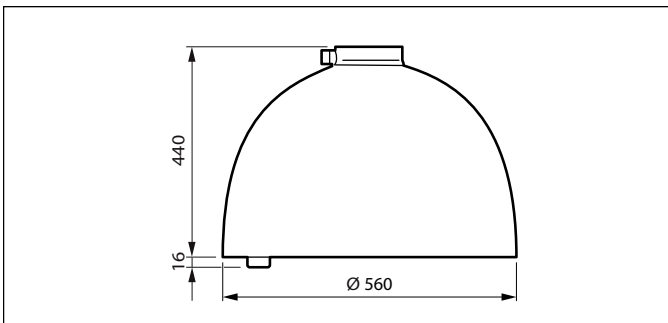
(lm) /lumen output (lm) Declared Unit *

35000 (hrs) * Energy mix (kg CO₂ eq / kwh)

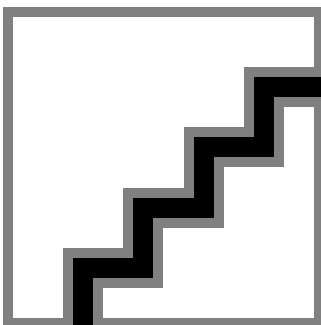
Product Data

Order product name	BSS563LED230/830II GL-DM50 CLOLS850 SRTB
Full product name	BSS563LED230/830II GL-DM50 CLOLS850 SRTB
Full product code	871951409081100
Order code	919008634405
Material Nr. (12NC)	919008634405
Numerator - Quantity Per Pack	1
EAN/UPC - Product/Case	8719514090811
Numerator - Packs per outer box	1
EAN/UPC - Case	8719514090811
Product family code	BSS563 [Copenhagen LED gen2 mega]

Dimensional drawing



Photometric data



Polar Normal (separate) - BRS563I - 919008634405

Copenhagen LED gen2 large & mega

