



Copenhagen LED gen2 small

BRS561 LED32/830 II GL-DM50 SRTB C10K

Copenhagen LED gen2 small, Urban road & street light, 25 W, 3166 lm, 3000 K, CRI80, GPRS network, Distribution medium 50, Safety class II, IP66, SRG6-6

The original Copenhagen luminaire was co-designed with Copenhagen's Office of City Architecture in the 1960s with the aim of enhancing the aesthetic appeal of the city through lighting. This timeless luminaire design comes in two types: Copenhagen City LED Gen2 is for city and residential areas where light comfort is important; Copenhagen LED Gen2 delivers high performance for road lighting applications. The second generation of Copenhagen LED is available in a range of sizes, from mini to mega. This makes it suitable for any type of application while ensuring the dimensions of the luminaire and pole are well balanced, so every installation blends harmoniously into its surroundings. Various suspensions are available, allowing a variety of mounting options to provide maximum freedom during installation. Thanks to the built in LEDGINE-O engine, and the wide range of application-tailored optics, Copenhagen LED luminaires deliver the right amount of light and in the right direction on your street, enabling important energy savings. The luminaire is available with one or two Zhaga-D4i (ZD4i) System Ready (SR) sockets, which makes the luminaire future ready. This means Copenhagen LED Gen2 is ready to pair with advanced control and lighting software applications such as Interact, or sensors such as the Outdoor Sensor Bundle (OSB). And because the top SR socket is integrated into the canopy, it has no impact on the beautiful, clean design of the luminaire. Furthermore, every Copenhagen LED Gen2 BPS559, BRS561, BRS562 and BRS563 luminaire is uniquely identifiable, thanks to the Signify Service tag app. By simply scanning a QR code, placed inside the door of the mast or directly on the luminaire, you can instantly access the configuration of the luminaire. This makes maintenance and programming operations faster and easier and enables you to create a digital library of lighting assets and spare parts.

Copenhagen LED gen2 small

Product data

General Information	
Lamp family code	LED32 [LED module 3200 lm]
Light source replaceable	Yes
Number of gear units	1 unit
Driver included	Yes
Light source engine type	LED
Service tag	Yes
Lighting Technology	LED
Value ladder	Specification
Warranty period	5 years

Light Technical	
Upward light output ratio	0
Luminous Flux	3,166 lm
Correlated Color Temperature (Nom)	3000 K
Luminous Efficacy (rated) (Nom)	113 lm/W
Color rendering index (CRI)	80
Light source color	830 warm white
Luminaire light beam spread	-
Optic type outdoor	Distribution medium 50
Effective projected area	0.08 m ²

Operating and Electrical	
Input Voltage	220/240 V
Line Frequency	50 to 60 Hz
Inrush current	21 A
Inrush time	0.3 ms
Power Consumption	25 W
Power Factor (Fraction)	0.97
Connection	-
Cable	Cable 10 m without plug
Number of products on MCB of 16 A type B	21
Protection class IEC	Safety class II
Surge Protection (Common/Differential)	Surge protection level until 6 kV differential mode and 6 kV common mode

Controls and Dimming	
Dimmable	Yes
Driver/power unit/transformer	Power supply unit with DALI and SystemReady interface
Control interface	GPRS network
Constant light output	No
DALI Standard	DALI-2™

Mechanical and Housing	
Housing Material	Polyethylene
Reflector material	-
Optic material	Polymethyl methacrylate

Optical cover material	Glass
Fixation material	Aluminum
Housing Color	White
Mounting device	Side-entry for diameter 48 mm
Optical cover shape	Flat
Optical cover finish	Clear
Overall length	380 mm
Overall width	380 mm
Overall height	328 mm
Overall diameter	380 mm
Dimensions (Height x Width x Depth)	328 x 380 x 380 mm
Ingress protection code	IP66 [Dust penetration-protected, jet-proof]
Mech. impact protection code	IK08 [5 J vandal-protected]
Standard tilt angle posttop	0°
Standard tilt angle side entry	0°
Optical cover type	Flat glass
Net Weight (Piece)	5.400 kg

Approval and Application	
Flammability mark	-
CE mark	Yes
ENEC mark	ENEC mark
EU RoHS compliant	Yes
Performance ambient temperature Tq	25 °C
Remarks	* At extreme ambient temperatures the luminaire might automatically dim down to protect components
Ambient temperature range	-30 to +25 °C

Initial Performance (IEC Compliant)	
Luminous flux tolerance	+/-7%
Initial chromaticity	(0.4339, 0.4032) SDCM <5
Power consumption tolerance	+/-10%
Init. Color Rendering Index Tolerance	+/-2
Standard Deviation of Colour Matching (McAdam ellipse)	SDCM<5

Over Time Performance (IEC Compliant)	
Driver failure rate at 5000 h	0.01 %
Control gear failure rate at median useful life 50000 h	5 %
Control gear failure rate at median useful life 100000 h	10 %
Lumen maintenance (EN-IEC 62722-2-1) at L98 median useful life* 50000 h	
Lumen maintenance (EN-IEC 62722-2-1) at L97 median useful life* 100000 h	

Copenhagen LED gen2 small

Sustainability Data

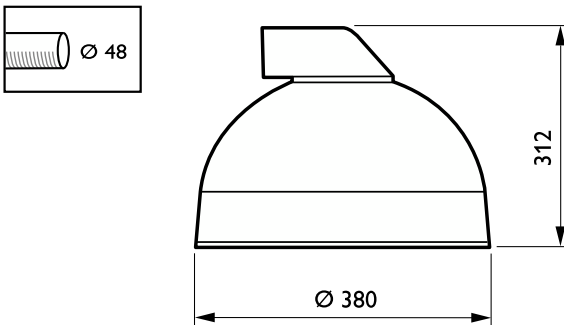
Sustainability rating	Signify Circle
Repair class	Repair Class B, the driver and light source of this luminaire can be replaced by a service technician. Parts and documentation are available for an extended period of time.
Embedded carbon (A1-A3)	31.7 kg CO ₂ e
Product non-virgin material ratio	22.2 %
Recyclable content ratio of the finished product	39.8 %
GWP total B6 (kg CO₂eq) Declared Unit	Please calculate using your local energy mix value: Power Declared Unit (kW) * Service life (hrs) Declared Unit * Energy mix (kg CO ₂ eq / kwh)
GWP total B6 (kg CO₂eq) Functional Unit	Please calculate using your local energy mix value: Power Declared Unit (kW) * 1000

(lm) /lumen output (lm) Declared Unit *
35000 (hrs) * Energy mix (kg CO₂ eq / kwh)

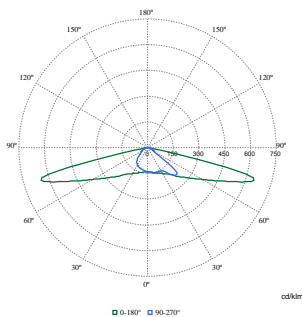
Product Data

Order product name	BRS561 LED32/830 II GL-DM50 SRTB C10K
Full product name	BRS561 LED32/830 II GL-DM50 SRTB C10K
Full product code	871869958422100
Order code	919008633835
Material Nr. (12NC)	919008633835
Numerator - Quantity Per Pack	1
EAN/UPC - Product/Case	8718699584221
Numerator - Packs per outer box	1
EAN/UPC - Case	8718699584221
Product family code	BRS561 [Copenhagen gen2 LED Small]

Dimensional drawing



Photometric data



Polar Normal (separate) - BRS561I - 919008633837

Copenhagen LED gen2 small

