

EB-Certalume for TL-D lamps

EB-Ci 1-2 36W / 1-4 18W 220-240V 50/60Hz

EB-Certalume is the most cost-effective, slim and affordable ballast for reliable operation of a fluorescent lamp. It is also the ideal entry-level product for electromagnetic system users who want to enjoy the benefits offered by electronic ballasts. The cost-saving and reliable EB-Certalume has energy efficiency class A2, and its robust design meets all relevant international safety and performance standards. EB-Certalume is intended for use with indoor lighting fixtures such as recessed luminaires, which are widely used in office, industrial, hotel, restaurant and other applications.

Product data

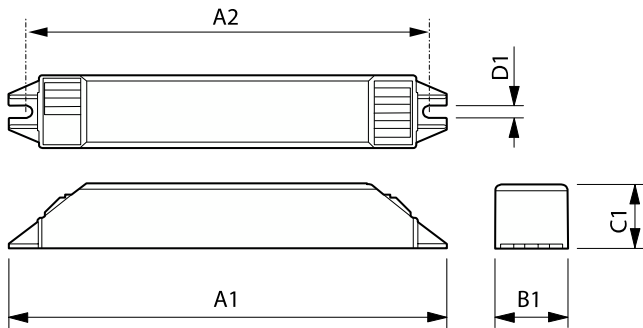
Operating and Electrical		T-Case Maximum (Max)	
Input Voltage	220-240 V		75 °C
Input Frequency	50 or 60 Hz	Mechanical and Housing	
Earth Leakage Current (Max)	0.5 mA	Housing Material	Plastic
Inrush Current Width	0.35 ms	Housing	L210x30x26mm
Inrush Current Peak (Max)	19 A	Ingress protection code	IP20 [Finger-protected]
Number of Products on MCB (16A Type B) (Max)	28	Net Weight (Piece)	0.080 kg
Wiring		Approval and Application	
Connector Type Input Terminals	Insert	Energy Efficiency Index	A2
Connector Type Output Terminals	Insert	Safety Standard	IEC 61347-2-3, IEC 61347-1
Connector Type	Insert	Environmental Standard	ISO 14001
Temperature		Approval Marks	CB Certificate CCC certificate TISI marking PSB certification RCM compliance CS Compliance IRAM SNI Certificate
T-Case Lifetime (Max)	75 °C		

EB-Certalume for TL-D lamps

Product Data	
Order product name	EB-Ci 1-2 36W / 1-4 18W 220-240V 50/60Hz
Full product name	EB-Ci 1-2 36W / 1-4 18W 220-240V 50/60Hz
Full product code	694793913353600
Order code	913713043180

Material Nr. (12NC)	913713043180
Numerator - Quantity Per Pack	1
EAN/UPC - Product/Case	6947939133536
Numerator - Packs per outer box	30
EAN/UPC - Case	6947939133543

Dimensional drawing



Product	A1	A2	B1	C1	D1
EB-Ci 1-2 36W / 1-4 18W 220-240V 50/60Hz	210 mm	200 mm	30 mm	26 mm	4.3 mm

