

EB-Certalume for TL-D lamps

EB-Ci 1-2 36W / 1-4 18W 220-240V 50/60Hz

Affordable, reliable, high-frequency electronic ballast for TL-D fluorescent lamps, ideal alternative to electromagnetic fluorescent systems. The cost-saving and reliable EB-C has energy efficiency class A2, and its robust design meets all necessary international standards for safety and EMC. The ballast is primarily designed for indoor use. For outdoor use, the luminaire should be minimum Classland be sufficiently protected against water and dust. The installation should also be protected against lightning surges or any other electrical protection deemed necessary in this type of installation and application.

Product data

Operating and Electrical	
Input Voltage	220-240 V
Input Frequency	50 or 60 Hz
Earth Leakage Current (Max)	0.5 mA
Inrush Current Width	0.35 ms
Inrush Current Peak (Max)	19 A
Number of Products on MCB (16A Type B) (Max)	28
Wiring	
Connector Type Input Terminals	Insert
Connector Type Output Terminals	Insert
Connector Type	Insert
Temperature	
T-Case Lifetime (Max)	75 °C

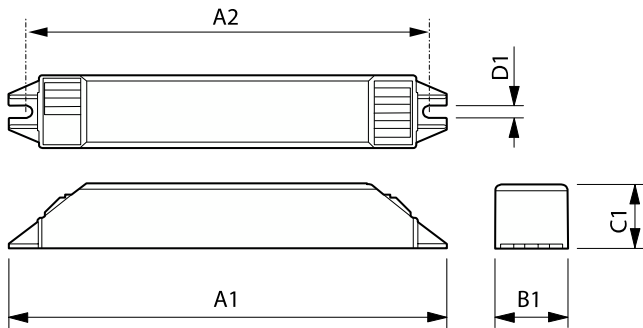
T-Case Maximum (Max)	75 °C
Mechanical and Housing	
Housing Material	Plastic
Housing	L210x30x26mm
Ingress protection code	IP20 [Finger-protected]
Net Weight (Piece)	0.080 kg
Approval and Application	
Energy Efficiency Index	A2
Safety Standard	IEC 61347-2-3, IEC 61347-1
Environmental Standard	ISO 14001
Approval Marks	CB Certificate CCC certificate TISI marking PSB certification RCM compliance CS Compliance IRAM SNI Certificate

EB-Certalume for TL-D lamps

Product Data	
Order product name	EB-Ci 1-2 36W / 1-4 18W 220-240V 50/60Hz
Full product name	EB-Ci 1-2 36W / 1-4 18W 220-240V 50/60Hz
Full product code	694793913353600
Order code	913713043180

Material Nr. (12NC)	913713043180
Numerator - Quantity Per Pack	1
EAN/UPC - Product/Case	6947939133536
Numerator - Packs per outer box	30
EAN/UPC - Case	6947939133543

Dimensional drawing



Product	A1	A2	B1	C1	D1
EB-Ci 1-2 36W / 1-4 18W 220-240V 50/60Hz	210 mm	200 mm	30 mm	26 mm	4.3 mm

