



HF-Performer III for TL5 lamps

HF-P 280 TL5/PL-L III 220-240V 50/60Hz

HF-Performer III TL5 ballasts offer maximum versatility and meet all of the necessary commercial grade specifications. They also offer the added benefits of lamp striation reduction technology, making these ballasts compatible with energy-saving TL5 ECO lamps. As such, these ballasts are part of an overall high-efficiency lighting system that may help you or your customers to achieve any international or local energy code you need to comply with. HF-Performer III TL5 ballasts are the ideal choice for a broad range of new construction and retrofit applications within the commercial sector, including general surface mounting or office lighting, parking garages, warehouses, waterproof and other applications. The ballast is primarily designed for Indoor application. For outdoor application, the luminaire should be minimum Classland need to be sufficiently protected against water & dust. The installation should also be guard against any lightening surge or any other necessary electrical protection as deemed in such typical installation & application.

Product data

Operating and Electrical	
Input Voltage	220 to 240 V
Line Frequency	50 to 60 Hz
Input Frequency	50 to 60 Hz
Inrush Current Width	0.38 ms
Inrush Current Peak (Max)	35 A
Number of Products on MCB (16A Type B) (Nom)	8

Wiring	
Connector Type Input Terminals	WAGO 251 universal connector [Suitable for both automatic wiring (ALF and ADS) and manual wiring]
Connector Type Output Terminals	WAGO 251 universal connector [Suitable for both automatic wiring (ALF and ADS) and manual wiring]

Temperature	
T-Case Lifetime (Nom)	85 °C
T-Case Maximum (Max)	85 °C

HF-Performer III for TL5 lamps

Mechanical and Housing

Housing	L 425x30x21
Ingress protection code	IP20 [Finger-protected]
Net Weight (Piece)	0.360 kg

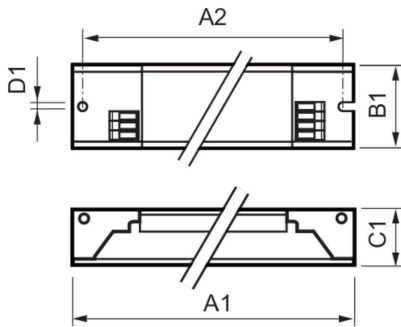
Approval and Application

Energy Efficiency Index	A2 BAT
Safety Standard	IEC 61347-2-3
Environmental Standard	ISO 14001
Approval Marks	CE marking ENEC certificate VDE-EMV certificate
Ambient temperature range	-25 °C to 60 °C

Product Data

Order product name	HF-P 280 TL5/PL-L III 220-240V 50/60Hz
Full product name	HF-P 280 TL5/PL-L III 220-240V 50/60Hz
Full product code	872790095230800
Order code	913713034366
Material Nr. (12NC)	913713034366
Numerator - Quantity Per Pack	1
EAN/UPC - Product/Case	8727900952308
Numerator - Packs per outer box	12
EAN/UPC - Case	8727900952315

Dimensional drawing



Product	D1	C1	A1	A2	B1
HF-P 280 TL5/PL-L III 220-240V 50/60Hz	4.2 mm	21.0 mm	425.0 mm	415.0 mm	30.0 mm

