



HF-Selectalume II for TL5 lamps

HF-S 254 TL5 II 220-240V 50/60Hz

HF-Selectalume II is the most cost-effective, reliable, slim and affordable fluorescent solution, with highly disruptive technology for energy saving, system flexibility and unsurpassed performance. The cost-saving HF-Selectalume II has a robust design which meets all relevant international safety and performance standards. HF-Selectalume II is intended for use with indoor lighting fixtures such as spotlights, downlights and recessed luminaires, which are largely used in office, retail, industry, hotel, restaurant and other applications where control devices are installed with occasional On/Off switching activity

Product data

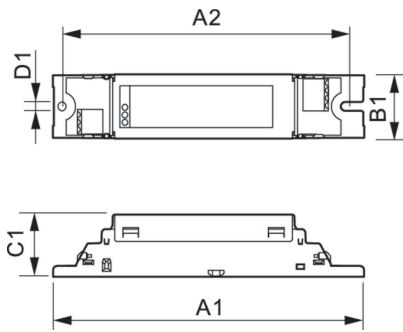
Operating and Electrical		Mechanical and Housing	
Input Voltage	220 to 240 V	Housing	L 280x30x21
Line Frequency	50 to 60 Hz	Ingress protection code	IP20 [Finger-protected]
Input Frequency	50 to 60 Hz	Net Weight (Piece)	0.221 kg
Earth Leakage Current (Max)	0.5 mA	Approval and Application	
Inrush Current Width	0.38 ms	Energy Efficiency Index	A2 BAT
Inrush Current Peak (Max)	28 A	Approval Marks	F-Marking CE marking ENEC certificate CCC certificate C-Tick certificate PSB certification TISI marking SIRIM approval CB Certificate CCC certificate VDE-EMV certificate
Wiring		CE mark	Yes
Connector Type Input Terminals	WAGO 744 connector	Ambient temperature range	-15 °C to 50 °C
Connector Type Output Terminals	WAGO 744 connector [Suitable for manual wiring]	Product Data	
Temperature		Order product name	HF-S 254 TL5 II 220-240V 50/60Hz
T-Case Lifetime (Nom)	75 °C	Full product name	HF-S 254 TL5 II 220-240V 50/60Hz
T-Case Maximum (Max)	75 °C		

HF-Selectalume II for TL5 lamps

Full product code	872790090562500
Order code	913713033766
Material Nr. (12NC)	913713033766
Numerator - Quantity Per Pack	1
EAN/UPC - Product/Case	8711500999382

Numerator - Packs per outer box	12
EAN/UPC - Case	8727900905625

Dimensional drawing



Product	D1	C1	A1	A2	B1
HF-S 254 TL5 II 220-240V 50/60Hz	4.1 mm	21.5 mm	360.0 mm	350.0 mm	30.0 mm

