



# HF-Selectalume II for TL-D lamps

## HF-S 258 TL-D II 220-240V 50/60Hz

HF-Selectalume II TL-D is the most cost-effective, reliable and outstanding solution for fluorescent lamps. These ballasts are part of an overall high-efficiency lighting system that may help you or your customers to achieve any international or local energy code you need to comply with. HF-Selectalume II TL-D ballasts are the ideal choice for a broad range of new construction and retrofit applications within the commercial sector, including general surface mounting or office lighting, parking garages, warehouses, waterproof and other applications. The ballast is primarily designed for Indoor application. For outdoor application, the luminaire should be minimum Classland need to be sufficiently protected against water & dust. The installation should also be guard against any lightening surge or any other necessary electrical protection as deemed in such typical installation & application.

### Product data

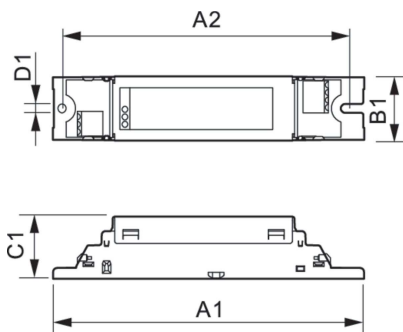
Operating and Electrical		Connector Type Output Terminals	
Input Voltage	220 to 240 V	WAGO 744 connector [Suitable for manual wiring]	
Line Frequency	50 to 60 Hz	Temperature	
Input Frequency	50 to 60 Hz	T-Case Lifetime (Nom)	75 °C
Earth Leakage Current (Max)	0.5 mA	T-Case Maximum (Max)	75 °C
Inrush Current Width	0.35 ms	Mechanical and Housing	
Inrush Current Peak (Max)	28 A	Housing	L 280x30x28
Number of Products on MCB (16A Type B) (Nom)	12	Ingress protection code	IP20 [Finger-protected]
Wiring		Net Weight (Piece)	0.193 kg
Connector Type Input Terminals	WAGO 744 connector	Approval and Application	
		Energy Efficiency Index	A2 BAT

## HF-Selectalume II for TL-D lamps

<b>Approval Marks</b>	F-Marking CE marking ENEC certificate CCC certificate C-Tick certificate PSB certification TISI marking SIRIM approval CB Certificate CCC certificate VDE-EMV certificate
<b>CE mark</b>	Yes
<b>Ambient temperature range</b>	-20 °C to 50 °C
<b>Product Data</b>	
<b>Order product name</b>	HF-S 258 TL-D II 220-240V 50/60Hz
<b>Full product name</b>	HF-S 258 TL-D II 220-240V 50/60Hz

<b>Full product code</b>	872790089746300
<b>Order code</b>	913713032566
<b>Material Nr. (12NC)</b>	913713032566
<b>Numerator - Quantity Per Pack</b>	1
<b>EAN/UPC - Product/Case</b>	8711500999085
<b>Numerator - Packs per outer box</b>	12
<b>EAN/UPC - Case</b>	8727900897463

### Dimensional drawing



Product	D1	C1	A1	A2	B1
HF-S 258 TL-D II 220-240V 50/60Hz	4.1 mm	28.0 mm	280.0 mm	265.0 mm	30.0 mm

