



# HF-Performer III for TL-D lamps

## HF-P 258 TL-D III 220-240V 50/60Hz IDC

HF-Performer III TL-D III ballasts offer maximum versatility and meet all of the necessary commercial grade specifications. They also offer the added benefits of lamp striation reduction technology, making these ballasts compatible with energy-saving lamps. As such, these ballasts are part of an overall high-efficiency lighting system that may help you or your customers to achieve any international or local energy code you need to comply with. HF-Performer III TL-D III ballasts are the ideal choice for a broad range of new construction and retrofit applications within the commercial sector, including general surface mounting or office lighting, parking garages, warehouses, waterproof and other applications.

### Product data

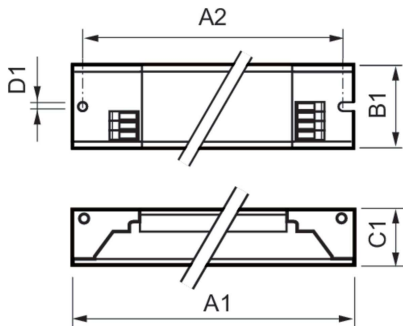
Operating and Electrical		Connector Type Output Terminals	
Input Voltage	220 to 240 V		WAGO 251 universal connector [Suitable for both automatic wiring (ALF and ADS) and manual wiring]
Line Frequency	50 to 60 Hz		
Input Frequency	50 to 60 Hz		
Inrush Current Width	0.35 ms		
Power Factor (Fraction)	0.99		
Inrush Current Peak (Max)	28 A		
Number of Products on MCB (16A Type B) (Nom)	12		
Wiring		Temperature	
Connector Type Input Terminals	WAGO 251 universal connector [Suitable for both automatic wiring (ALF and ADS) and manual wiring]	T-Case Lifetime (Nom)	80 °C
		T-Case Maximum (Max)	80 °C
		Mechanical and Housing	
		Housing	L 280x30x28
		Ingress protection code	IP20 [Finger-protected]
		Net Weight (Piece)	0.231 kg
		Approval and Application	
		Energy Efficiency Index	A2 BAT
		Safety Standard	IEC 61347-2-3

## HF-Performer III for TL-D lamps

Environmental Standard	ISO 14001
Approval Marks	CE marking ENEC certificate VDE-EMV certificate
CE mark	Yes
Ambient temperature range	-25 °C to 60 °C
<b>Product Data</b>	
Order product name	HF-P 258 TL-D III 220-240V 50/60Hz IDC
Full product name	HF-P 258 TL-D III 220-240V 50/60Hz IDC

Full product code	872790091172500
Order code	91172500
Material Nr. (12NC)	913713031966
Numerator - Quantity Per Pack	1
EAN/UPC - Product/Case	8711500999726
Numerator - Packs per outer box	12
EAN/UPC - Case	8727900911725

### Dimensional drawing



Product	D1	C1	A1	A2	B1
HF-P 258 TL-D III 220-240V 50/60Hz IDC	4.2 mm	28.0 mm	280.0 mm	265.0 mm	30.0 mm

