



HF-Performer III for TL-D lamps

HF-P 158 TL-D III 220-240V 50/60Hz IDC

HF-Performer III TLD is a sustainable, slim and high-frequency electronic ballast for TL-D fluorescent lamps. It is ideal for applications where high energy efficiency is required. The HF-Performer III range has a robust design, meets all relevant international safety and performance standards and is energy-efficient (CELMA EEI A2).

Product data

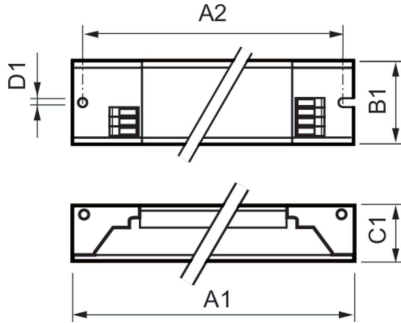
Operating and Electrical		T-Case Maximum (Max)	80 °C
Input Voltage	220 to 240 V	Mechanical and Housing	
Line Frequency	50 to 60 Hz	Housing	L 280x30x28
Input Frequency	50 to 60 Hz	Ingress protection code	IP20 [Finger-protected]
Inrush Current Width	0.25 ms	Net Weight (Piece)	0.205 kg
Power Factor (Fraction)	0.99	Approval and Application	
Inrush Current Peak (Max)	18 A	Energy Efficiency Index	A2 BAT
Number of Products on MCB (16A Type B) (Nom)	28	Safety Standard	IEC 61347-2-3
Wiring		Environmental Standard	ISO 14001
Connector Type Input Terminals	WAGO 251 universal connector [Suitable for both automatic wiring (ALF and ADS) and manual wiring]	Approval Marks	CE marking ENEC certificate VDE-EMV certificate
Connector Type Output Terminals	WAGO 251 universal connector [Suitable for both automatic wiring (ALF and ADS) and manual wiring]	CE mark	Yes
Temperature		Ambient temperature range	-25 °C to 60 °C
T-Case Lifetime (Nom)	80 °C	Product Data	
		Order product name	HF-P 158 TL-D III 220-240V 50/60Hz IDC
		Full product name	HF-P 158 TL-D III 220-240V 50/60Hz IDC
		Full product code	872790091170100

HF-Performer III for TL-D lamps

Order code	913713031866
Material Nr. (12NC)	913713031866
Numerator - Quantity Per Pack	1
EAN/UPC - Product/Case	8711500999702

Numerator - Packs per outer box	12
EAN/UPC - Case	8727900911701

Dimensional drawing



Product	D1	C1	A1	A2	B1
HF-P 158 TL-D III 220-240V 50/60Hz IDC	4.2 mm	28.0 mm	280.0 mm	265.0 mm	30.0 mm

