



HF-Performer III for TL-D lamps

HF-P 218/236 TL-D III 220-240V 50/60 Hz

HF-Performer III TL-D III ballasts offer maximum versatility and meet all of the necessary commercial grade specifications. They also offer the added benefits of lamp striation reduction technology, making these ballasts compatible with energy-saving lamps. As such, these ballasts are part of an overall high-efficiency lighting system that may help you or your customers to achieve any international or local energy code you need to comply with. HF-Performer III TL-D III ballasts are the ideal choice for a broad range of new construction and retrofit applications within the commercial sector, including general surface mounting or office lighting, parking garages, warehouses, waterproof and other applications. The ballast is primarily designed for indoor use. For outdoor use, the luminaire should be minimum Classland be sufficiently protected against water and dust. The installation should also be protected against lightning surges or any other electrical protection deemed necessary in this type of installation and application.

Product data

Operating and Electrical	
Input Voltage	220 to 240 V
Line Frequency	50 to 60 Hz
Input frequency	50 to 60 Hz
Inrush current width	0.25 ms
Inrush current peak (max.)	18 A
Number of products on MCB (16 A type B) (nom.)	28

Wiring	
Connector type input terminals	WAGO 251 universal connector [Suitable for both automatic wiring (ALF and ADS) and manual wiring]
Connector type output terminals	WAGO 251 universal connector [Suitable for both automatic wiring (ALF and ADS) and manual wiring]

Temperature	
T-case lifetime (nom.)	80 °C
T-Case maximum (max.)	80 °C

HF-Performer III for TL-D lamps

Mechanical and Housing

Housing	L 280x30x28
Ingress protection code	IP20 [Finger-protected]
Net Weight (Piece)	0.203 kg

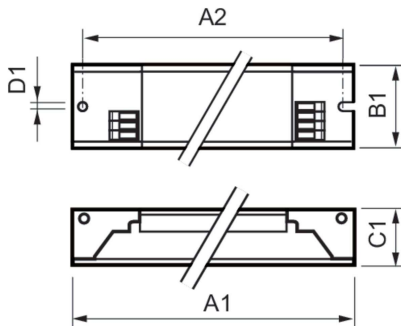
Approval and Application

Energy efficiency index	A2 BAT
Safety standard	IEC 61347-2-3
Environmental standard	ISO 14001
Approval marks	CE marking ENEC certificate VDE-EMV certificate
CE mark	Yes
Ambient temperature range	-25°C to 60°C

Product Data

Order product name	HF-P 218/236 TL-D III 220-240V 50/60 Hz
Full product name	HF-P 218/236 TL-D III 220-240V 50/60 Hz
Full EOC	872790091166400
Order code	913713031666
Material no. (12 NC)	913713031666
Local order code	HFP236TLDIII
Numerator – quantity per pack	1
EAN/UPC – Product/Case	8711500999665
Numerator – packs per outer box	12
EAN/UPC – Case	8727900911664

Dimensional drawing



Product	D1	C1	A1	A2	B1
HF-P 218/236 TL-D III 220-240V 50/60 Hz	4.2 mm	28.0 mm	280.0 mm	265.0 mm	30.0 mm

