



HF-Performer III for TL5 lamps

HF-P 1 14-35 TL5 HE III 220-240V

HF-Performer III TL5 is a sustainable, slim and high-frequency electronic ballast for TL5 and TL5 Eco fluorescent lamps. It is ideal for applications where high energy efficiency is required. The HF-Performer III range has a robust design, meets all relevant international safety and performance standards and is energy-efficient (CELMA EEI A2 BAT).

Product data

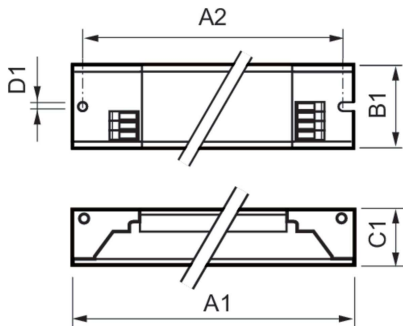
Operating and Electrical		T-Case maximum (max.)	80 °C
Input Voltage	220 to 240 V	Mechanical and Housing	
Line Frequency	50 to 60 Hz	Housing	L360x30x22
Input frequency	50 to 60 Hz	Ingress protection code	IP20 [Finger-protected]
Inrush current width	0.25 ms	Net Weight (Piece)	0.220 kg
Inrush current peak (max.)	24 A	Approval and Application	
Number of products on MCB (16 A type B) (nom.)	28	Energy efficiency index	A2 BAT
Wiring		Safety standard	IEC 61347-2-3
Connector type input terminals	WAGO 251 universal connector [Suitable for both automatic wiring (ALF and ADS) and manual wiring]	Environmental standard	ISO 14001
Connector type output terminals	WAGO 251 universal connector [Suitable for both automatic wiring (ALF and ADS) and manual wiring]	Approval marks	CE marking ENEC certificate VDE-EMV certificate
Temperature		CE mark	Yes
T-case lifetime (nom.)	80 °C	Ambient temperature range	-25°C to 60°C
Product Data			
Order product name	HF-P 1 14-35 TL5 HE III 220-240V		
Full product name	HF-P 1 14-35 TL5 HE III 220-240V		
Full EOC	872790090504500		

HF-Performer III for TL5 lamps

Order code	913713031066
Material no. (12 NC)	913713031066
Local order code	HFP11435T5HEIII
Numerator – quantity per pack	1
EAN/UPC – Product/Case	8711500999245

Numerator – packs per outer box	12
EAN/UPC – Case	8727900905045

Dimensional drawing



Product	D1	C1	A1	A2	B1
HF-P 114-35 TL5 HE III 220-240V	4.2 mm	22.0 mm	360.0 mm	350.0 mm	30.0 mm

