



HF-Performer III for TL5 lamps

HF-P 1 14-35 TL5 HE III 220-240V

HF-Performer III TL5 ballasts offer maximum versatility and meet all of the necessary commercial grade specifications. They also offer the added benefits of lamp striation reduction technology, making these ballasts compatible with energy-saving TL5 ECO lamps. As such, these ballasts are part of an overall high-efficiency lighting system that may help you or your customers to achieve any international or local energy code you need to comply with. HF-Performer III TL5 ballasts are the ideal choice for a broad range of new construction and retrofit applications within the commercial sector, including general surface mounting or office lighting, parking garages, warehouses, waterproof and other applications.

Product data

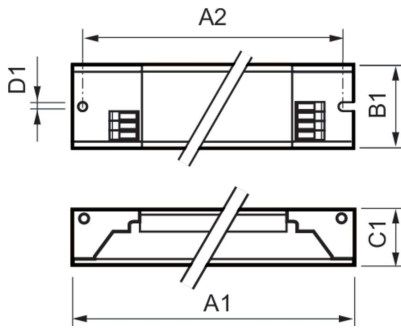
Operating and Electrical		Connector Type Output Terminals	
Input Voltage	220 to 240 V	WAGO 251 universal connector [Suitable for both automatic wiring (ALF and ADS) and manual wiring]	
Line Frequency	50 to 60 Hz		
Input Frequency	50 to 60 Hz		
Inrush Current Width	0.25 ms		
Inrush Current Peak (Max)	24 A		
Number of Products on MCB (16A Type B) (Nom)	28		
Wiring		Temperature	
Connector Type Input Terminals	WAGO 251 universal connector [Suitable for both automatic wiring (ALF and ADS) and manual wiring]	T-Case Lifetime (Nom)	80 °C
		T-Case Maximum (Max)	80 °C
		Mechanical and Housing	
		Housing	L360x30x22
		Ingress protection code	IP20 [Finger-protected]
		Net Weight (Piece)	0.220 kg
		Approval and Application	
		Energy Efficiency Index	A2 BAT
		Safety Standard	IEC 61347-2-3

HF-Performer III for TL5 lamps

Environmental Standard	ISO 14001
Approval Marks	CE marking ENEC certificate VDE-EMV certificate
CE mark	Yes
Ambient temperature range	-25 °C to 60 °C
Product Data	
Order product name	HF-P 1 14-35 TL5 HE III 220-240V
Full product name	HF-P 1 14-35 TL5 HE III 220-240V

Full product code	872790090504500
Order code	90504500
Material Nr. (12NC)	913713031066
Numerator - Quantity Per Pack	1
EAN/UPC - Product/Case	8711500999245
Numerator - Packs per outer box	12
EAN/UPC - Case	8727900905045

Dimensional drawing



Product	D1	C1	A1	A2	B1
HF-P 1 14-35 TL5 HE III 220-240V	4.2 mm	22.0 mm	360.0 mm	350.0 mm	30.0 mm

