



HF-Performer III for TL5 lamps

HF-P 254/255 TL5 HO/PLL III 220-240V IDC

HF-Performer III TL5 ballasts offer maximum versatility and meet all of the necessary commercial grade specifications. They also offer the added benefits of lamp striation reduction technology, making these ballasts compatible with energy-saving TL5 ECO lamps. As such, these ballasts are part of an overall high-efficiency lighting system that may help you or your customers to achieve any international or local energy code you need to comply with. HF-Performer III TL5 ballasts are the ideal choice for a broad range of new construction and retrofit applications within the commercial sector, including general surface mounting or office lighting, parking garages, warehouses, waterproof and other applications. The ballast is primarily designed for indoor use. For outdoor use, the luminaire should be minimum Classland be sufficiently protected against water and dust. The installation should also be protected against lightning surges or any other electrical protection deemed necessary in this type of installation and application.

Product data

Operating and Electrical	
Input Voltage	220 to 240 V
Line Frequency	50 to 60 Hz
Input frequency	50 to 60 Hz
Inrush current width	0.35 ms
Inrush current peak (max.)	31 A
Number of products on MCB (16 A type B) (nom.)	12

Wiring	
Connector type input terminals	WAGO 251 universal connector [Suitable for both automatic wiring (ALF and ADS) and manual wiring]
Connector type output terminals	WAGO 251 universal connector [Suitable for both automatic wiring (ALF and ADS) and manual wiring]

Temperature	
T-case lifetime (nom.)	80 °C
T-Case maximum (max.)	80 °C

HF-Performer III for TL5 lamps

Mechanical and Housing

Housing	L360x30x22
Ingress protection code	IP20 [Finger-protected]
Net Weight (Piece)	0.280 kg

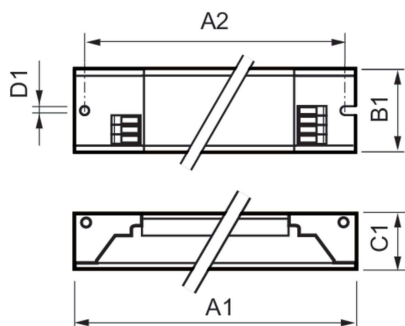
Approval and Application

Energy efficiency index	A2 BAT
Safety standard	IEC 61347-2-3
Environmental standard	ISO 14001
Approval marks	CE marking ENEC certificate VDE-EMV certificate
CE mark	Yes
Ambient temperature range	-25°C to 60°C

Product Data

Order product name	HF-P 254/255 TL5 HO/PLL III 220-240V IDC
Full product name	HF-P 254/255 TL5 HO/PLL III 220-240V IDC
Full EOC	872790086351200
Order code	913713028366
Material no. (12 NC)	913713028366
Local order code	HFP254T5/255PLL
Numerator – quantity per pack	1
EAN/UPC – Product/Case	8711500998224
Numerator – packs per outer box	12
EAN/UPC – Case	8727900863512

Dimensional drawing



Product	D1	C1	A1	A2	B1
HF-P 254/255 TL5 HO/PLL III 220-240V IDC	4.2 mm	22.0 mm	360.0 mm	350.0 mm	30.0 mm

