



EB-P Electronic ballast for TL-D/PL-L/TL5 lamps (India)

EBP 254/258/255 TL5 HO / TLD/ PL-L 240V

Slim, lightweight, high-frequency electronic ballast for TL-D/PL-L/TL5 lamps with constant light output irrespective of fluctuations in mains voltage

Product data

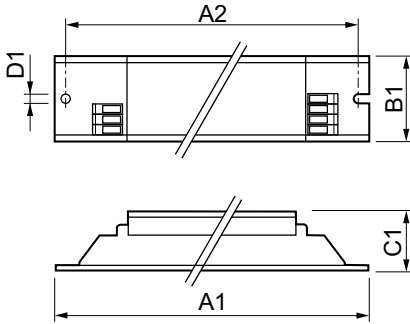
Operating and Electrical	
Input Voltage	220 to 240 V
Line Frequency	50 to 60 Hz
Input Frequency	50 to 60 Hz
Inrush Current Width	350 ms
Inrush Current Peak (Max)	31 A
Number of Products on MCB (16A Type B) (Nom)	16
Wiring	
Connector Type Input Terminals	WAGO 251 universal connector [Suitable for both automatic wiring (ALF and ADS) and manual wiring]
Connector Type Output Terminals	WAGO 251 universal connector [Suitable for both automatic wiring (ALF and ADS) and manual wiring]
Temperature	
T-Case Maximum (Max)	75 °C

Mechanical and Housing	
Net Weight (Piece)	0.220 kg
Approval and Application	
Energy Efficiency Index	A2 BAT
Safety Standard	IEC 61347-2-3
Approval Marks	CE marking S Mark
Ambient temperature range	-15 °C to 50 °C

Product Data	
Order product name	EBP 254/258/255 TL5 HO / TLD/ PL-L 240V
Full product name	EBP 254/258/255 TL5 HO / TLD/ PL-L 240V
Full product code	871829115142500
Order code	913702246322
Material Nr. (12NC)	913702246322
Numerator - Quantity Per Pack	1
EAN/UPC - Product/Case	8718291151425
Numerator - Packs per outer box	10
EAN/UPC - Case	8718291151425

EB-P Electronic ballast for TL-D/PL-L/TL5 lamps (India)

Dimensional drawing



Product	D1	C1	A1	A2	B1
EBP 254/258/255 TL5 HO / TLD/ PL-L 240V	4.2 mm	29.0 mm	258.0 mm	244.0 mm	30.0 mm

