



# PrimaVision Economy for CPO

## CertaVision CPO140

Highly reliable electronic drivers for CPO lamps; the drivers are designed for outdoor use and consume less energy than conventional alternatives.

### Product data

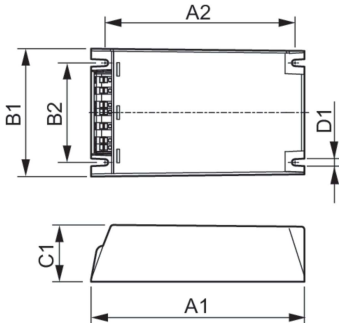
Operating and Electrical	
Input Voltage	208-240-277 V
Line Frequency	50 to 60 Hz
Input Frequency	50 to 60 Hz
Earth Leakage Current (Max)	0.7 mA
Inrush Current Width	0.47 ms
Input Current (Nom)	0.75 A
Inrush Current Peak (Max)	52 A
Number of Products on MCB (16A Type B) (Nom)	5
Surge Protection (Common/Differential)	EN61547 (L-L 2kV, L-G 4kV) kV
Wiring	
Cable Length From Device to Lamp	10 m
Connector Type	WAGO series 804
Temperature	
T-Case Lifetime (Nom)	80 °C
Mechanical and Housing	
Housing	Q
Net Weight (Piece)	0.820 kg

Approval and Application	
Safety Standard	IEC 607, 609, 926, 928 [No Standard for HID Lamp drivers exists. Requirements in these standards to be used if considered relevant for the product.]
Environmental Standard	ISO 14001
Approval Marks	F-Marking CE marking ENEC certificate VDE-EMV certificate
Ambient temperature range	-30 °C to 55 °C

Product Data	
Order product name	CertaVision CPO140
Full product name	CertaVision CPO140
Full product code	871829170489800
Order code	913700760070
Material Nr. (12NC)	913700760070
Numerator - Quantity Per Pack	1
EAN/UPC - Product/Case	8718291704898
Numerator - Packs per outer box	12
EAN/UPC - Case	8718291704904

# PrimaVision Economy for CPO

## Dimensional drawing



### Product

CertaVision CPO140

