



# DynaVision Programmable Xtreme for SON

## HID-DV PROG Xt 50 SON Q 208-277V

Highly reliable and flexible electronic drivers for SON lamps; designed to save energy via integrated controls, and to reduce maintenance costs thanks to 80,000-hour lifetime and integrated lightning protection. The DynaVision Programmable product family is the perfect basis for any sort of lighting management solution.

### Product data

| Operating and Electrical                     |                                       |
|--|---------------------------------------|
| Input Voltage                                | 208-240-277 V                         |
| Line Frequency                               | 50 to 60 Hz                           |
| Input Frequency                              | 50 to 60 Hz                           |
| Earth Leakage Current (Max)                  | 0.7 mA                                |
| Inrush Current Width                         | 0.24 ms                               |
| Input Current (Nom)                          | 0.27 A                                |
| Inrush Current Peak (Nom)                    | 28 A                                  |
| Number of Products on MCB (16A Type B) (Nom) | 11                                    |
| Surge Protection (Common/Differential)       | EN61547 (L-L 2kV, L-G 4kV), 10 kV TIL |
| Wiring                                       |                                       |
| Cable Length From Device to Lamp             | 10 m                                  |
| Connector Type                               | WAGO series 804                       |

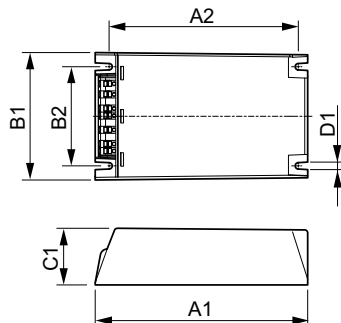
| Temperature              |  |
|--------------------------|--|
| T-Case Lifetime (Nom)    | 80 °C  |
| Controls and Dimming     |  |
| Control Interface        | PROG   |
| Mechanical and Housing   |  |
| Housing                  | Q  |
| Net Weight (Piece)       | 0.820 kg   |
| Approval and Application |  |
| Safety Standard          | IEC 607, 609, 926, 928 [No Standard for HID Lamp drivers exists. Requirements in these standards to be used if considered relevant for the product.] |
| Environmental Standard   | ISO 14001  |
| Approval Marks           | F-Marking CE marking ENEC certificate VDE-EMV certificate  |

# DynaVision Programmable Xtreme for SON

|                           |                                  |
|---------------------------|----------------------------------|
| CE mark                   | Yes                              |
| Ambient temperature range | -30 °C to 55 °C                  |
| <b>Product Data</b>       |                                  |
| Order product name        | HID-DV PROG Xt 50 SON Q 208-277V |
| Full product name         | HID-DV PROG Xt 50 SON Q 208-277V |
| Full product code         | 871829166924100                  |
| Order code                | 66924100                         |

|                                 |               |
|---------------------------------|---------------|
| Material Nr. (12NC)             | 913700693366  |
| Numerator - Quantity Per Pack   | 1             |
| EAN/UPC - Product/Case          | 8718291669241 |
| Numerator - Packs per outer box | 12            |
| EAN/UPC - Case                  | 8718291669258 |

## Dimensional drawing



| Product                          | D1     | C1      | A1       | A2       | B1      | B2      |
|----------------------------------|--------|---------|----------|----------|---------|---------|
| HID-DV PROG Xt 50 SON Q 208-277V | 4.5 mm | 40.0 mm | 150.0 mm | 133.6 mm | 90.0 mm | 70.0 mm |

