



DynaVision Programmable Xtreme for CDO

HID-DV PROG Xt 50 CDO Q 208-277V

Highly reliable and flexible electronic drivers for CDO lamps; designed to save on energy costs via integrated controls and to reduce maintenance costs thanks to 80,000 hour lifetime and integrated lightning protection. The DynaVision Programmable product family is the perfect basis for any sort of lighting management solution.

Product data

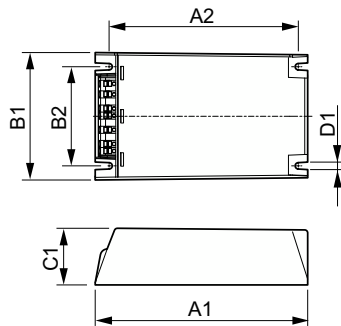
Operating and Electrical		Temperature	
Input Voltage	208-240-277 V	T-case lifetime (nom.)	80 °C
Line Frequency	50 to 60 Hz		
Input frequency	50 to 60 Hz	Controls and Dimming	
Power factor 50% load (min.)	0.95	Control interface	PROG
Earth leakage current (max.)	0.7 mA		
Inrush current width	0.24 ms	Mechanical and Housing	
Input current (nom.)	0.27 A	Housing	Q
Inrush current peak (nom.)	28 A	Net Weight (Piece)	0.820 kg
Number of products on MCB (16 A type B) (nom.)	11		
Surge Protection (Common/Differential)	EN61547 (L-L 2 kV, L-G 4 kV), 10 kV TIL	Approval and Application	
		Safety standard	IEC 607, 609, 926, 928 [No Standard for HID Lamp drivers exists. Requirements in these standards to be used if considered relevant for the product.]
Wiring		Environmental standard	ISO 14001
Cable length from device to lamp	10 m		
Connector type	WAGO series 804		

DynaVision Programmable Xtreme for CDO

Approval marks	F-Marking CE marking ENEC certificate VDE-EMV certificate
CE mark	Yes
Ambient temperature range	-30°C to 55°C
Product Data	
Order product name	HID-DV PROG Xt 50 CDO Q 208-277V
Full product name	HID-DV PROG Xt 50 CDO Q 208-277V
Full EOC	871829166916600

Order code	913700692966
Material no. (12 NC)	913700692966
Local order code	DVPROGXT50CDOQ
Numerator – quantity per pack	1
EAN/UPC – Product/Case	8718291669166
Numerator – packs per outer box	12
EAN/UPC – Case	8718291669173

Dimensional drawing



Product	D1	C1	A1	A2	B1	B2
HID-DV PROG Xt 50 CDO Q 208-277V	4.5 mm	40.0 mm	150.0 mm	133.6 mm	90.0 mm	70.0 mm

