



DynaVision Programmable Xtreme for CPO

HID-DV PROG Xt 140 CPO Q 208-277V

Highly reliable and flexible electronic drivers for CPO lamps; designed to save on energy costs via integrated controls and to reduce maintenance costs thanks to 80,000-hour lifetime and integrated lightning protection. The DynaVision Programmable product family is the perfect basis for any sort of lighting management solution.

Product data

Operating and Electrical	
Input Voltage	208-240-277 V
Line Frequency	50 to 60 Hz
Input Frequency	50 to 60 Hz
Power Factor 50% Load (Min)	0.98
Earth Leakage Current (Max)	0.7 mA
Inrush Current Width	0.47 ms
Input Current (Nom)	0.75 A
Inrush Current Peak (Max)	52 A
Number of Products on MCB (16A Type B) (Nom)	5
Surge Protection (Common/Differential)	EN61547 (L-L 2kV, L-G 4kV), 10 kV TIL
Wiring	
Cable Length From Device to Lamp	10 m
Connector Type	WAGO series 804

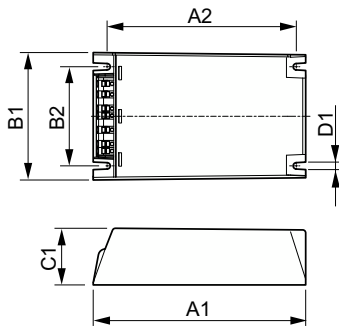
Temperature	
T-Case Lifetime (Nom)	80 °C
Controls and Dimming	
Control Interface	PROG
Mechanical and Housing	
Housing	Q
Net Weight (Piece)	0.820 kg
Approval and Application	
Safety Standard	IEC 607, 609, 926, 928 [No Standard for HID Lamp drivers exists. Requirements in these standards to be used if considered relevant for the product.]
Environmental Standard	ISO 14001

DynaVision Programmable Xtreme for CPO

Approval Marks	F-Marking CE marking VDE-EMV certificate CB Certificate ENEC certificate
CE mark	Yes
Ambient temperature range	-30 °C to 55 °C
Product Data	
Order product name	HID-DV PROG Xt 140 CPO Q 208-277V
Full product name	HID-DV PROG Xt 140 CPO Q 208-277V
Full product code	871829124153900

Order code	913700685966
Material Nr. (12NC)	913700685966
Numerator - Quantity Per Pack	1
EAN/UPC - Product/Case	8718291241539
Numerator - Packs per outer box	12
EAN/UPC - Case	8718291241546

Dimensional drawing



Product	D1	C1	A1	A2	B1	B2
HID-DV PROG Xt 140 CPO Q 208-277V	4.5 mm	40.0 mm	150.0 mm	133.6 mm	90.0 mm	70.0 mm

