



# PrimaVision Xtreme for CPO

## HID-PV Xt 60 CPO L1 208-277V

Highly reliable electronic drivers for CPO lamps; designed to save energy by offering better light efficiency than magnetic drivers and to reduce maintenance costs thanks to 80,000-hour lifetime and integrated lightning protection

### Product data

Operating and Electrical	
Input Voltage	208-240-277 V
Line Frequency	50 to 60 Hz
Input Frequency	50 to 60 Hz
Earth Leakage Current (Max)	0.7 mA
Inrush Current Width	0.42 ms
Input Current (Nom)	0.33 A
Inrush Current Peak (Max)	28 A
Number of Products on MCB (16A Type B) (Nom)	11
Surge Protection (Common/Differential)	EN61547 (L-L 2kV, L-G 4kV), 10 kV TIL
Wiring	
Cable Length From Device to Lamp	10 m
Connector Type	WAGO series 804
Temperature	
T-Case Lifetime (Nom)	80 °C
Mechanical and Housing	
Housing	Q

Net Weight (Piece)	0.820 kg
Approval and Application	
Safety Standard	IEC 607, 609, 926, 928 [No Standard for HID Lamp drivers exists. Requirements in these standards to be used if considered relevant for the product.]
Environmental Standard	ISO 14001
Approval Marks	F-Marking CE marking ENEC certificate VDE-EMV certificate
CE mark	Yes
Ambient temperature range	-30 °C to 55 °C

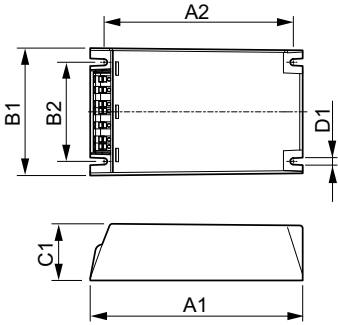
Product Data	
Order product name	HID-PV Xt 60 CPO Q 208-277V
Full product name	HID-PV Xt 60 CPO L1 208-277V
Full product code	871829124143000
Order code	24143000
Material Nr. (12NC)	913700685466
Numerator - Quantity Per Pack	1
EAN/UPC - Product/Case	8718291241430
Numerator - Packs per outer box	12

# PrimaVision Xtreme for CPO

EAN/UPC - Case

8718291241447

## Dimensional drawing



Product	D1	C1	A1	A2	B1	B2
HID-PV Xt 60 CPO Q 208-277V	4.5 mm	40.0 mm	150.0 mm	133.6 mm	90.0 mm	70.0 mm

