

AspiraVision Compact for CDM

HID-AV C 35-70 /S CDM 220-240V 50/60Hz

AspiraVision is the mark of excellence in HID electronic gear technology – high-end, compact, lightweight and easy to use, with added features for optimal performance of 35, 50 and 70 W CDM lamps. The recently added switching function provides maximum flexibility for users by integrating three different wattage choices into a single driver.

Product data

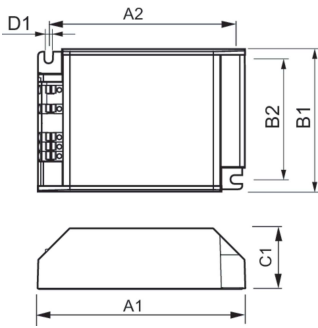
Operating and Electrical		Controls and Dimming	
Input Voltage	220 to 240 V	Control Interface	-
Line Frequency	50 to 60 Hz	Mechanical and Housing	
Input Frequency	50 to 60 Hz	Housing	/S
Earth Leakage Current (Max)	0.25 mA	Net Weight (Piece)	0.220 kg
Inrush Current Width	10 ms	Approval and Application	
Inrush Current Peak (Max)	8 A	Safety Standard	EN 61347-2-12 and 2-1
Number of Products on MCB (16A Type B) (Nom)	58	Environmental Standard	ISO 14001
Surge Protection (Common/Differential)	EN61547 (L-L 2kV, L-G 4kV) kV	Approval Marks	F-Marking CE marking ENEC certificate VDE certificate CB Certificate VDE-EMC marking
Wiring		CE mark	Yes
Cable Length From Device to Lamp	2 m	Ambient temperature range	-20 °C to 55 °C
Connector Type	WAGO series 804	Product Data	
Temperature		Order product name	HID-AV C 35-70 /S CDM 220-240V 50/60Hz
T-Case Lifetime (Nom)	80 °C	Full product name	HID-AV C 35-70 /S CDM 220-240V 50/60Hz

AspiraVision Compact for CDM

Full product code	871829123310700
Order code	913700683866
Material Nr. (12NC)	913700683866
Numerator - Quantity Per Pack	1
EAN/UPC - Product/Case	8718291233107

Numerator - Packs per outer box	12
EAN/UPC - Case	8718291233114

Dimensional drawing



Product	D1	C1	A1	A2	B1	B2
HID-AV C 35-70 /S CDM 220-240V 50/60Hz	4.5 mm	32.1 mm	110.0 mm	98.5 mm	75.0 mm	63.5 mm

