



DynaVision Programmable Xtreme for CDMe

HID-DV PROG Xt 210 CDMe/CPO C2 208-277V

Highly reliable and flexible electronic drivers for MASTERColour CDMe MW lamps; designed to save on energy costs via integrated controls and to reduce maintenance costs thanks to 80,000 hour lifetime and integrated lightning protection. The DynaVision Programmable product family is the perfect basis for any sort of lighting management solution.

Product data

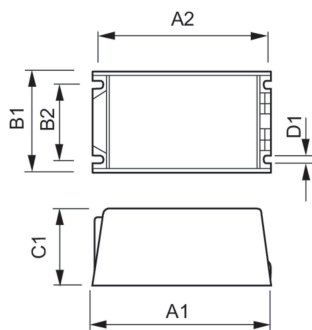
Operating and Electrical		Temperature	
Input Voltage	208-240-277 V	T-Case Lifetime (Nom)	80 °C
Line Frequency	50 to 60 Hz		
Input Frequency	50 to 60 Hz	Controls and Dimming	
Power Factor 50% Load (Min)	0.98	Control Interface	PROG
Earth Leakage Current (Max)	0.7 mA		
Inrush Current Width	4 ms	Mechanical and Housing	
Input Current (Nom)	1.11 A	Housing	C2
Inrush Current Peak (Max)	4 A	Net Weight (Piece)	1.420 kg
Number of Products on MCB (16A Type B) (Nom)	13		
Surge Protection (Common/Differential)	EN61547 (L-L 2kV, L-G 4kV), 10 kV TIL	Approval and Application	
		Safety Standard	IEC 607, 609, 926, 928 [No Standard for HID Lamp drivers exists. Requirements in these standards to be used if considered relevant for the product.]
Wiring		Environmental Standard	ISO 14001
Cable Length From Device to Lamp	3 m		
Connector Type	WAGO series 804		

DynaVision Programmable Xtreme for CDMe

Approval Marks	F-Marking CE marking ENEC certificate VDE-EMV certificate
CE mark	Yes
Ambient temperature range	-30 °C to 50 °C
Product Data	
Order product name	HID-DV PROG Xt 210 CDMe/CPO C2 208-277V
Full product name	HID-DV PROG Xt 210 CDMe/CPO C2 208-277V

Full product code	871829122269900
Order code	913700676966
Material Nr. (12NC)	913700676966
Numerator - Quantity Per Pack	1
EAN/UPC - Product/Case	8718291222699
Numerator - Packs per outer box	6
EAN/UPC - Case	8718291222705

Dimensional drawing



Product	D1	C1	A1	A2	B1	B2
HID-DV PROG Xt 210 CDMe/CPO C2 208-277V	4.8 mm	58.0 mm	169.0 mm	156.0 mm	100.0 mm	81.5 mm

