



DynaVision Programmable Xtreme for SON

HID-DV PROG Xt 250 SON C2 208-277V

Highly reliable and flexible electronic drivers for SON lamps; designed to save energy via integrated controls, and to reduce maintenance costs thanks to 80,000-hour lifetime and integrated lightning protection. The DynaVision Programmable product family is the perfect basis for any sort of lighting management solution.

Product data

Operating and Electrical	
Input Voltage	208-240-277 V
Line Frequency	50 to 60 Hz
Input frequency	50 to 60 Hz
Power factor 50% load (min.)	0.98
Earth leakage current (max.)	0.7 mA
Inrush current width	4 ms
Input current (nom.)	1.32 A
Inrush current peak (max.)	4 A
Number of products on MCB (16 A type B) (nom.)	11
Surge Protection (Common/Differential)	EN61547 (L-L 2 kV, L-G 4 kV), 10 kV TIL
Wiring	
Cable length from device to lamp	10 m
Connector type	WAGO series 804

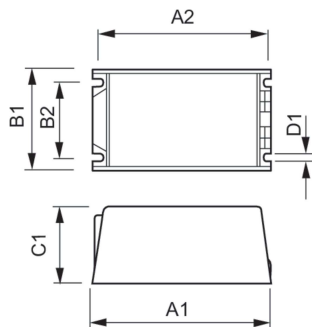
Temperature	
T-case lifetime (nom.)	80 °C
Controls and Dimming	
Control interface	PROG
Mechanical and Housing	
Housing	C2
Net Weight (Piece)	1.420 kg
Approval and Application	
Safety standard	IEC 607, 609, 926, 928 [No Standard for HID Lamp drivers exists. Requirements in these standards to be used if considered relevant for the product.]
Environmental standard	ISO 14001
Approval marks	F-Marking CE marking ENEC certificate VDE-EMV certificate

DynaVision Programmable Xtreme for SON

CE mark	Yes
Ambient temperature range	-30°C to 50°C
Product Data	
Order product name	HID-DV PROG Xt 250 SON C2 208-277V
Full product name	HID-DV PROG Xt 250 SON C2 208-277V
Full EOC	871829121991000
Order code	913700676766

Material no. (12 NC)	913700676766
Local order code	HIDDVP250SC2XT
Numerator – quantity per pack	1
EAN/UPC – Product/Case	8718291219910
Numerator – packs per outer box	6
EAN/UPC - Case	8718291219927

Dimensional drawing



Product	D1	C1	A1	A2	B1	B2
HID-DV PROG Xt 250 SON C2 208-277V	4.8 mm	58.0 mm	169.0 mm	156.0 mm	100.0 mm	81.5 mm

