



# DynaVision Programmable Xtreme for SON

## HID-DV PROG Xt 250 SON C2 208-277V

Highly reliable and flexible electronic drivers for SON lamps; designed to save energy via integrated controls, and to reduce maintenance costs thanks to 80,000-hour lifetime and integrated lightning protection. The DynaVision Programmable product family is the perfect basis for any sort of lighting management solution.

### Product data

Operating and Electrical	
Input Voltage	208-240-277 V
Line Frequency	50 to 60 Hz
Input Frequency	50 to 60 Hz
Power Factor 50% Load (Min)	0.98
Earth Leakage Current (Max)	0.7 mA
Inrush Current Width	4 ms
Input Current (Nom)	1.32 A
Inrush Current Peak (Max)	4 A
Number of Products on MCB (16A Type B) (Nom)	11
Surge Protection (Common/Differential)	EN61547 (L-L 2kV, L-G 4kV), 10 kV TIL
Wiring	
Cable Length From Device to Lamp	10 m
Connector Type	WAGO series 804

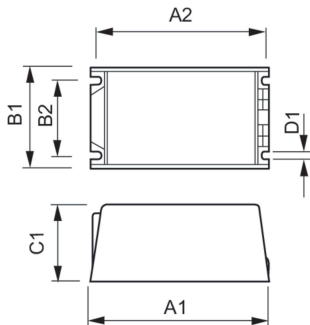
Temperature	
T-Case Lifetime (Nom)	80 °C
Controls and Dimming	
Control Interface	PROG
Mechanical and Housing	
Housing	C2
Net Weight (Piece)	1.420 kg
Approval and Application	
Safety Standard	IEC 607, 609, 926, 928 [No Standard for HID Lamp drivers exists. Requirements in these standards to be used if considered relevant for the product.]
Environmental Standard	ISO 14001
Approval Marks	F-Marking CE marking ENEC certificate VDE-EMV certificate

## DynaVision Programmable Xtreme for SON

CE mark	Yes
Ambient temperature range	-30 °C to 50 °C
<b>Product Data</b>	
Order product name	HID-DV PROG Xt 250 SON C2 208-277V
Full product name	HID-DV PROG Xt 250 SON C2 208-277V
Full product code	871829121991000
Order code	21991000

Material Nr. (12NC)	913700676766
Numerator - Quantity Per Pack	1
EAN/UPC - Product/Case	8718291219910
Numerator - Packs per outer box	6
EAN/UPC - Case	8718291219927

### Dimensional drawing



Product	D1	C1	A1	A2	B1	B2
HID-DV PROG Xt 250 SON C2 208-277V	4.8 mm	58.0 mm	169.0 mm	156.0 mm	100.0 mm	81.5 mm

