



# DynaVision Programmable Xtreme for CPO

## HID-DV PROG Xt 140 CPO C1 208-277V

Highly reliable and flexible electronic drivers for CPO lamps; designed to save on energy costs via integrated controls and to reduce maintenance costs thanks to 80,000-hour lifetime and integrated lightning protection. The DynaVision Programmable product family is the perfect basis for any sort of lighting management solution.

### Product data

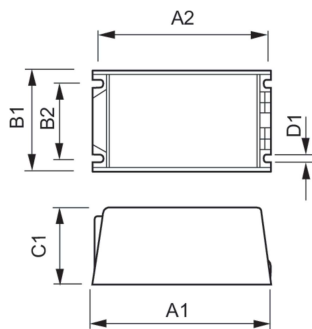
Operating and Electrical		Temperature	
Input Voltage	208-240-277 V	T-Case Lifetime (Nom)	80 °C
Line Frequency	50 to 60 Hz	<b>Controls and Dimming</b>	
Input Frequency	50 to 60 Hz	Control Interface	PROG
Power Factor 50% Load (Min)	0.98	<b>Mechanical and Housing</b>	
Earth Leakage Current (Max)	0.7 mA	Housing	C1
Inrush Current Width	0.47 ms	Net Weight (Piece)	0.950 kg
Input Current (Nom)	0.75 A	<b>Approval and Application</b>	
Inrush Current Peak (Max)	52 A	Safety Standard	IEC 607, 609, 926, 928 [No Standard for HID Lamp drivers exists. Requirements in these standards to be used if considered relevant for the product.]
Number of Products on MCB (16A Type B) (Nom)	5	Environmental Standard	ISO 14001
Surge Protection (Common/Differential)	EN61547 (L-L 2kV, L-G 4kV), 10 kV TIL		
Wiring			
Cable Length From Device to Lamp	10 m		
Connector Type	WAGO series 804		

# DynaVision Programmable Xtreme for CPO

<b>Approval Marks</b>	F-Marking CE marking ENEC certificate VDE-EMV certificate
<b>CE mark</b>	Yes
<b>Ambient temperature range</b>	-30 °C to 50 °C
<b>Product Data</b>	
<b>Order product name</b>	HID-DV PROG Xt 140 CPO C1 208-277V
<b>Full product name</b>	HID-DV PROG Xt 140 CPO C1 208-277V
<b>Full product code</b>	871829120457200

<b>Order code</b>	913700675266
<b>Material Nr. (12NC)</b>	913700675266
<b>Numerator - Quantity Per Pack</b>	1
<b>EAN/UPC - Product/Case</b>	8718291204572
<b>Numerator - Packs per outer box</b>	12
<b>EAN/UPC - Case</b>	8718291204589

## Dimensional drawing



Product	D1	C1	A1	A2	B1	B2
HID-DV PROG Xt 140 CPO C1 208-277V	5.0 mm	65.0 mm	150.0 mm	135.9 mm	65.0 mm	46.8 mm

