



DynaVision Programmable Xtreme for CPO

HID-DV PROG Xt 90 CPO C1 208-277V

Highly reliable and flexible electronic drivers for CPO lamps; designed to save on energy costs via integrated controls and to reduce maintenance costs thanks to 80,000-hour lifetime and integrated lightning protection. The DynaVision Programmable product family is the perfect basis for any sort of lighting management solution.

Product data

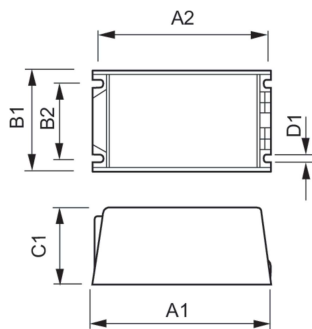
Operating and Electrical		Temperature	
Input Voltage	208-240-277 V	T-Case Lifetime (Nom)	80 °C
Line Frequency	50 to 60 Hz	Controls and Dimming	
Input Frequency	50 to 60 Hz	Control Interface	PROG
Power Factor 50% Load (Min)	0.97	Mechanical and Housing	
Earth Leakage Current (Max)	0.7 mA	Housing	C1
Inrush Current Width	0.47 ms	Net Weight (Piece)	0.950 kg
Input Current (Nom)	0.49 A	Approval and Application	
Inrush Current Peak (Max)	52 A	Safety Standard	IEC 607, 609, 926, 928 [No Standard for HID Lamp drivers exists. Requirements in these standards to be used if considered relevant for the product.]
Number of Products on MCB (16A Type B) (Nom)	5	Environmental Standard	ISO 14001
Surge Protection (Common/Differential)	EN61547 (L-L 2kV, L-G 4kV), 10 kV TIL		
Wiring			
Cable Length From Device to Lamp	10 m		
Connector Type	WAGO series 804		

DynaVision Programmable Xtreme for CPO

Approval Marks	F-Marking CE marking ENEC certificate VDE-EMV certificate
CE mark	Yes
Ambient temperature range	-30 °C to 50 °C
Product Data	
Order product name	HID-DV PROG Xt 90 CPO C1 208-277V
Full product name	HID-DV PROG Xt 90 CPO C1 208-277V
Full product code	871829120455800

Order code	913700675166
Material Nr. (12NC)	913700675166
Numerator - Quantity Per Pack	1
EAN/UPC - Product/Case	8718291204558
Numerator - Packs per outer box	12
EAN/UPC - Case	8718291204565

Dimensional drawing



Product	D1	C1	A1	A2	B1	B2
HID-DV PROG Xt 90 CPO C1 208-277V	5.0 mm	65.0 mm	150.0 mm	135.9 mm	65.0 mm	46.8 mm

