



PrimaVision Compact for CDM

HID-PV C 50 /I CDM 220-240V 50/60Hz

High-quality, compact and lightweight HID electronic gear for optimal and reliable performance of 20, 35, 50 and 70 W CDM lamps

Product data

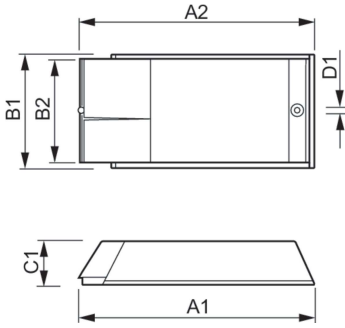
Operating and Electrical	
Input Voltage	220 to 240 V
Line Frequency	50 to 60 Hz
Input Frequency	50 to 60 Hz
Earth Leakage Current (Max)	0.25 mA
Inrush Current Width	0.25 ms
Inrush Current Peak (Max)	26 A
Number of Products on MCB (16A Type B) (Nom)	24
Wiring	
Cable Length From Device to Lamp	2.0 m
Connector Type	Insert
Temperature	
T-Case Lifetime (Nom)	75 °C
T-Case Maximum (Max)	75 °C
Mechanical and Housing	
Housing	/I
Ingress protection code	IP20 [Finger-protected]

Net Weight (Piece)	0.360 kg
Approval and Application	
Safety Standard	IEC 61347-2-3
Environmental Standard	ISO 14001
Approval Marks	CE marking ENEC certificate
CE mark	Yes
Ambient temperature range	-20 °C to 50 °C

Product Data	
Order product name	HID-PV C 50 /I CDM 220-240V 50/60Hz
Full product name	HID-PV C 50 /I CDM 220-240V 50/60Hz
Full product code	872790093365900
Order code	93365900
Material Nr. (12NC)	913700665166
Numerator - Quantity Per Pack	1
EAN/UPC - Product/Case	8727900933659
Numerator - Packs per outer box	12
EAN/UPC - Case	8727900933666

PrimaVision Compact for CDM

Dimensional drawing



Product	D1	C1	A1	A2	B1
HID-PV C 50 /I CDM 220-240V 50/60Hz	4.8 mm	34.5 mm	188.0 mm	170.0 mm	82.7 mm

