

PrimaVision Compact for CDM

HID-PV C 50 /S CDM 220-240V 50/60Hz

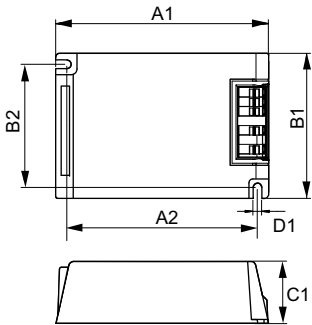
High-quality, compact and lightweight HID electronic gear for optimal and reliable performance of 20, 35, 50 and 70 W CDM lamps

Product data

Operating and Electrical		Net Weight (Piece)	
Input Voltage	220 to 240 V		0.240 kg
Line Frequency	50 to 60 Hz	Approval and Application	
Input Frequency	50 to 60 Hz	Safety Standard	IEC 61347-2-3
Earth Leakage Current (Max)	0.25 mA	Environmental Standard	ISO 14001
Inrush Current Width	0.25 ms	Approval Marks	CE marking ENEC certificate
Inrush Current Peak (Max)	26 A	Ambient temperature range	-20 °C to 55 °C
Number of Products on MCB (16A Type B) (Nom)	24	Product Data	
Wiring		Order product name	HID-PV C 50 /S CDM 220-240V 50/60Hz
Cable Length From Device to Lamp	1.5 m	Full product name	HID-PV C 50 /S CDM 220-240V 50/60Hz
Connector Type	Insert	Full product code	872790093363500
Temperature		Order code	913700664966
T-Case Lifetime (Nom)	80 °C	Material Nr. (12NC)	913700664966
T-Case Maximum (Max)	80 °C	Numerator - Quantity Per Pack	1
Mechanical and Housing		EAN/UPC - Product/Case	8727900933635
Housing	/S	Numerator - Packs per outer box	12
Ingress protection code	IP20 [Finger-protected]	EAN/UPC - Case	8727900933642

PrimaVision Compact for CDM

Dimensional drawing



Product	D1	C1	A1	A2	B1
HID-PV C 50 /S CDM 220-240V 50/60Hz	4.9 mm	32.2 mm	109.6 mm	98.5 mm	74.4 mm

