

PrimaVision Compact for CDM

HID-PV C 35 /S CDM 220-240V 50/60Hz NG

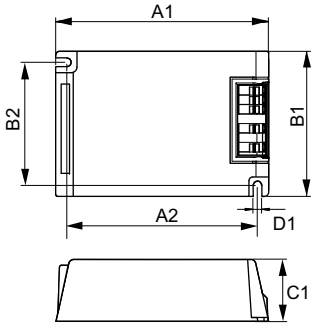
High-quality, compact and lightweight HID electronic gear for optimal and reliable performance of 20, 35, 50 and 70 W CDM lamps

Product data

Operating and Electrical		Environmental standard	ISO 14001
Input Voltage	220 to 240 V	Approval marks	CE marking ENEC certificate
Line Frequency	50 to 60 Hz	CE mark	Yes
Input frequency	50 to 60 Hz	Ambient temperature range	-20°C to 55°C
Inrush current width	0.25 ms		
Inrush current peak (max.)	26 A		
Number of products on MCB (16 A type B) (nom.)	24		
Wiring		Product Data	
Cable length from device to lamp	1.5 m	Order product name	HID-PV C 35 /S CDM 220-240V 50/60Hz NG
Connector type	Insert	Full product name	HID-PV C 35 /S CDM 220-240V 50/60Hz NG
		Full EOC	872790085962100
		Order code	913700652766
		Material no. (12 NC)	913700652766
		Local order code	HIDPVC35SCDM
		Numerator – quantity per pack	1
		EAN/UPC – Product/Case	8711500881687
		Numerator – packs per outer box	12
		EAN/UPC - Case	8727900859621
Temperature			
T-case lifetime (nom.)	80 °C		
T-Case maximum (max.)	80 °C		
Mechanical and Housing			
Housing	/S		
Net Weight (Piece)	0.216 kg		
Approval and Application			
Safety standard	EN 61347-2-12		

PrimaVision Compact for CDM

Dimensional drawing



Product	D1	C1	A1	A2	B1	B2
HID-PV C 35 /S CDM 220-240V 50/60Hz NG	4.9 mm	32.2 mm	109.6 mm	98.5 mm	74.4 mm	63.7 mm

